



<http://www.ebiz-tcf.eu>

DRAFT

IMPLEMENTATION GUIDE

TRANSACTION "FASHION MASTER DATA"

Version: draft

Date of release: 17/5/2019

Document code: G078

technical Documentation: <http://www.ebiz.enea.it>

XML Schemas repository: <http://www.ebiz.enea.it/moda-ml/repository/schema/draft/default.asp>

Guides repository: <http://www.ebiz.enea.it/moda-ml/repository/guide/draft/default.asp>

Guide filename: G078-eBIZ-FashionMasterData.pdf

0. PREMISE

This document contains a proposal for the updating and extension of eBIZ specifications starting from the eBIZ version released as CEN CWA 16667 in 2013. Under the name of 'Draft version' it is reported the result of an extensive work of analysis and consultation aimed at developing and maintaining eBIZ specifications.

In particular, the content of this proposal is the result of various activities, mainly those carried out within the framework of the **eBIZ 4.0 project** funded by the European Commission, call COS-DESIGN-2015-3-06, topic COS-2015-DESIGN-2.

The technical contents are backwards compatible with the latest official published version.

1. BUSINESS DESCRIPTION

1.1 Scope

The present guide has been issued to assist the companies of the FASHION sector in the implementation of the standard XML document type "FASHION MASTER DATA", providing all the instruction required for its use in any context of e-commerce between Brands, Apparel Producers, subcontractors or logistic or retail organisations.

All the rules required for the construction and validation of the document are embedded into the specific XML-Schema, which is detailed in section "Implementation guide".

1.2 Generalities

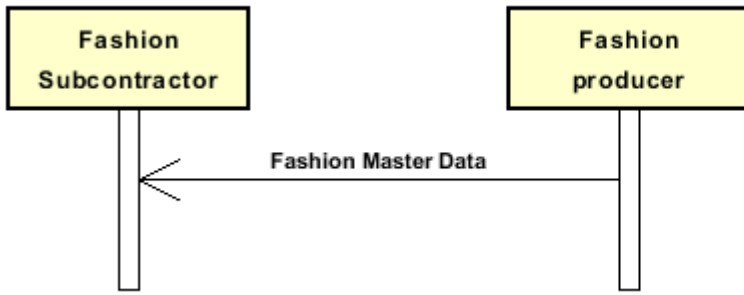
The message can have various uses: for example it can be issued by the Supplier of goods to communicate the technical-logistical characteristics of an article that the Receiver will receive; otherwise it might be issued by the Brand to communicate the technical characteristics of an article to the Subcontractor that he will receive to transform or which he will have to produce.

The sender forwards this document when he has to feed a registry of the characteristics of the goods that will then be treated in some way (sold or stored or processed for example).

The main function of the message is to provide information of various kinds: logistics (dimensions, packaging, handling, stackability), commercial (category, line or group of products), technical (size, treatments, ..), operational (eg CITES).

1.3. Possible scenario

Master Data transmission



2. IMPLEMENTATION GUIDE

2.1 General structure of XML document

All the business data that can be exchanged through this class of documents are shown in the following "document structure", that provides a simplified vision of the Schema.

In particular:

- the two numbers following each element define its "cardinality" (minimum and maximum number of occurrences); the minimum equal zero indicates that the element is optional, the minimum greater than zero indicates that is mandatory;
- the bold character denotes the complex elements (aggregates of simple elements) that were built for the sake of functionality and re-usability of some complex informations sets. The child elements in each parent element are easily spotted as "indented";
- the symbol "@" denotes an attribute of the preceding element; here "the usage indicator (optional, required, ...)" is shown in square brackets.

Structure

GARMasterData

@msgfunction [Optional] [Default= OR]

@version [Optional] [Default= draft]

@useProfile [Optional]

```
| GMheader 1-1  
| | msgN 1-1  
| | msgID 1-1  
| | msgDate 1-1  
| | @dateForm [Optional]  
| | season 0-1  
| | @numberingOrg [Optional]  
| | @codeList [Optional]  
| | @listName [Optional]  
| | @listVersion [Optional]  
| | validityStart 0-1  
| | @dateForm [Optional]  
| | validityEnd 0-1  
| | @dateForm [Optional]  
| | refDoc 0-unbounded  
| | @docType [Required]  
| | | docID 1-2  
| | | @numberingOrg [Optional]  
| | | docDate 0-1  
| | | @dateForm [Optional]  
| | | season 0-1  
| | | @numberingOrg [Optional]  
| | | @codeList [Optional]  
| | | @listName [Optional]  
| | | @listVersion [Optional]  
| | | itemID 0-1  
| | | attachment 0-1  
| | | @uid [Optional]  
| | | | fileName 0-1  
| | | | @numberingOrg [Optional]  
| | | | binaryObject 0-1  
| | | | @format [Optional]  
| | | | @mime [Optional]  
| | | | @encoding [Optional]  
| | | | @characterSet [Optional]  
| | | | externalReference 0-99  
| | | | uri 1-1
```

```

| | | | @isURL [Optional] [Default= true]
| | | | mimeTypeCode 0-1
| | | | formatCode 0-1
| | | | encodingCode 0-1
| | | | characterSetCode 0-1
| senderParty 1-1
| @sender [Optional]
| | id 1-1
| | | @numberingOrg [Optional]
| | | legalName 0-1
| | | dept 0-1
| | | subDept 0-1
| | | person 0-1
| | | | @email [Optional]
| | | | @phone [Optional]
| | | | @fax [Optional]
| | | street 0-1
| | | city 0-1
| | | subCountry 0-1
| | | country 0-1
| | | postCode 0-1
| receiverParty 1-1
| @sender [Optional]
| | id 1-1
| | | @numberingOrg [Optional]
| | | legalName 0-1
| | | dept 0-1
| | | subDept 0-1
| | | person 0-1
| | | | @email [Optional]
| | | | @phone [Optional]
| | | | @fax [Optional]
| | | street 0-1
| | | city 0-1
| | | subCountry 0-1
| | | country 0-1
| | | postCode 0-1
| thirdParty 0-unbounded
| @VAT [Optional]
| @role [Required]
| @sender [Optional]
| | id 1-1
| | | @numberingOrg [Optional]
| | | legalName 0-1
| | | dept 0-1
| | | subDept 0-1
| | | person 0-1
| | | | @email [Optional]
| | | | @phone [Optional]
| | | | @fax [Optional]
| | | street 0-1
| | | city 0-1
| | | subCountry 0-1
| | | country 0-1
| | | postCode 0-1
| note 0-unbounded
| | @numberingOrg [Optional]
| | @codeList [Optional]
| | @noteLabel [Optional]

```

| **packages 0-99**

```

| @packageLevel [Optional]
|   - choose -
|   | packageText 1-1
|   | - or -
|   | package 1-1
|   | - end choose -
|   | packageModelCode 0-1
|   |   @numberingOrg [Optional]
|   | description 0-unbounded
|   |   @ln [Optional]
|   | packageDim 0-1
|   |   | length 1-1
|   |   |   @um [Required]
|   |   | width 0-1
|   |   |   @um [Required]
|   |   | height 0-1
|   |   |   @um [Required]
|   | handlingChar 0-1
|   |   - choose -
|   |   | yarnPack 0-1
|   |   |   | yarnReel 1-1
|   |   |   |   @reelType [Required]
|   |   |   |   @reelMat [Optional]
|   |   |   |   | yarnReelD 0-1
|   |   |   |   |   @um [Required]
|   |   |   |   | yarnReelH 0-1
|   |   |   |   |   @um [Required]
|   |   |   |   | yarnConeAngle 0-1
|   |   |   |   | yarnReelQty 0-2
|   |   |   |   |   @um [Required]
|   |   |   |   | label 0-1
|   |   |   |   | labelWrit 0-1
|   |   |   |   | yarnInWrap 0-1
|   |   |   |   |   | yarnReelWrap 1-1
|   |   |   |   |   | label 0-1
|   |   |   |   |   | labelWrit 0-1
|   |   |   |   | - choose -
|   |   |   |   | | yarnOutWrapText 0-1
|   |   |   |   | - or -
|   |   |   |   | | yarnOutWrap 0-1
|   |   |   |   | - end choose -
|   |   |   | - or -
|   |   |   | piecePack 0-1
|   |   |   |   - choose -
|   |   |   |   | piecePackText 1-1
|   |   |   |   | - or -
|   |   |   |   | pieceInnWrap1 1-1
|   |   |   |   | pieceInnWrap2 0-1
|   |   |   |   | pieceOutWrap 0-1
|   |   |   |   | - end choose -
|   |   |   | - or -
|   |   |   | acsPack 0-1
|   |   |   |   - choose -
|   |   |   |   | acsPackCode 1-1
|   |   |   |   | - or -
|   |   |   |   | acsPackText 1-1
|   |   |   |   | - end choose -
|   |   |   | - or -
|   |   |   | garPack 0-1
|   |   |   |   - choose -
|   |   |   |   | garPackCode 1-1

```

- or -
- | | | garPackText 1-1
- end choose -
- end choose -
- | | | sortableIndicator 0-1
- | | | stackabilityLevel 0-1
- | | | handlingType 0-1
- | | | @In [Optional]
- | | | volume 0-1
- | | | @um [Required]
- | | | netWeight 0-1
- | | | @um [Required]
- | | | grossWeight 0-1
- | | | @um [Required]
- | | | note 0-99
- | | | @numberingOrg [Optional]
- | | | @codeList [Optional]
- | | | @noteLabel [Optional]
- | | itemsPerPackage 0-1
- | | @um [Required]
- | | minItemsPerPackage 0-1
- | | @um [Required]
- | | fillingCriterion 0-9
- | | @progr [Optional]
- | | packageQty 0-1
- | | packageN 0-unbounded
- | | @numberingOrg [Optional]
- | | @packageContainerN [Optional]
- | | **EPCList 0-1**
- | | | EPC 1-unbounded
- | | | @numberingOrg [Optional]
- | | | @TID [Optional]

GMbody 1-1

- | | **GMgroup 1-unbounded**
- | | | artGroup 0-1
- | | | @numberingOrg [Optional]
- | | | @codeList [Optional]
- | | | @listName [Optional]
- | | | @listVersion [Optional]
- | | | artGroupName 0-1
- | | | description 0-unbounded
- | | | @In [Optional]
- | | | **refDoc 0-9**
- | | | @docType [Required]
- | | | | docID 1-2
- | | | | @numberingOrg [Optional]
- | | | | docDate 0-1
- | | | | @dateForm [Optional]
- | | | | season 0-1
- | | | | @numberingOrg [Optional]
- | | | | @codeList [Optional]
- | | | | @listName [Optional]
- | | | | @listVersion [Optional]
- | | | | itemID 0-1
- | | | | **attachment 0-1**
- | | | | @uid [Optional]
- | | | | | fileName 0-1
- | | | | | @numberingOrg [Optional]
- | | | | | binaryObject 0-1
- | | | | | @format [Optional]

| @mime [Optional]
 | @encoding [Optional]
 | @characterSet [Optional]
 | **externalReference 0-99**
 | | uri 1-1
 | | | @isURL [Optional] [Default= true]
 | | | mimeTypeCode 0-1
 | | | formatCode 0-1
 | | | encodingCode 0-1
 | | | characterSetCode 0-1
GMitem 1-unbounded
 lineN 0-1
 @VAT [Optional]
 lineID 0-1
refDoc 0-9
 @docType [Required]
 | docID 1-2
 | | @numberingOrg [Optional]
 | docDate 0-1
 | | @dateForm [Optional]
 | season 0-1
 | | @numberingOrg [Optional]
 | | @codeList [Optional]
 | | @listName [Optional]
 | | @listVersion [Optional]
 | itemID 0-1
attachment 0-1
 @uid [Optional]
 | fileName 0-1
 | | @numberingOrg [Optional]
 | binaryObject 0-1
 | | @format [Optional]
 | | @mime [Optional]
 | | @encoding [Optional]
 | | @characterSet [Optional]
 | **externalReference 0-99**
 | | uri 1-1
 | | | @isURL [Optional] [Default= true]
 | | | mimeTypeCode 0-1
 | | | formatCode 0-1
 | | | encodingCode 0-1
 | | | characterSetCode 0-1
 brand 0-1
 @numberingOrg [Optional]
 @codeList [Optional]
 @listName [Optional]
 @listVersion [Optional]
 productLine 0-1
 @numberingOrg [Optional]
 @codeList [Optional]
 @listName [Optional]
 @listVersion [Optional]
 operationalCode 0-9
 @numberingOrg [Optional]
 @codeList [Optional]
 @listName [Optional]
 @listVersion [Optional]
 @codeQualifier [Optional]
garmentCategory 0-1
 @numberingOrg [Optional]
 | artGroup 0-1

| @numberingOrg [Optional]
 | @codeList [Optional]
 | @listName [Optional]
 | @listVersion [Optional]
 | artSubGroup 0-1
 | @numberingOrg [Optional]
 | @codeList [Optional]
 | @listName [Optional]
 | @listVersion [Optional]
 | artSex 0-1
 | @numberingOrg [Optional]
 | @codeList [Optional]
 | @listName [Optional]
 | @listVersion [Optional]
 | season 0-1
 | @numberingOrg [Optional]
 | @codeList [Optional]
 | @listName [Optional]
 | @listVersion [Optional]
 | **goodsClassification 0-9**
 | macroClass 0-1
 | @numberingOrg [Optional]
 | @codeList [Optional]
 | @listName [Optional]
 | @listVersion [Optional]
 | class 0-1
 | @numberingOrg [Optional]
 | @codeList [Optional]
 | @listName [Optional]
 | @listVersion [Optional]
 | subclass 0-1
 | @numberingOrg [Optional]
 | @codeList [Optional]
 | @listName [Optional]
 | @listVersion [Optional]
 | note 0-99
 | @numberingOrg [Optional]
 | @codeList [Optional]
 | @noteLabel [Optional]

fashionProd 1-1

| additionalComponentCode 0-9
 | @numberingOrg [Optional]
 | @codeList [Optional]
 | @listName [Optional]
 | @listVersion [Optional]

- choose -

yarnCode 1-2

| @numberingOrg [Optional] [Default= CL]
 | art 1-1
 | @numberingOrg [Optional]
 | @codeList [Optional]
 | @listName [Optional]
 | @listVersion [Optional]
 | color 0-1
 | @numberingOrg [Optional]
 | @codeList [Optional]
 | @listName [Optional]
 | @listVersion [Optional]
 | added 0-9
 | @numberingOrg [Optional]
 | @addType [Optional]

| | | | | description 0-unbounded
| | | | | @ln [Optional]

- or -

| | | | | **texCode 1-2**
| | | | | @numberingOrg [Optional]
| | | | | art 1-1
| | | | | @numberingOrg [Optional]
| | | | | @codeList [Optional]
| | | | | @listName [Optional]
| | | | | @listVersion [Optional]
| | | | | pattern 0-1
| | | | | @numberingOrg [Optional]
| | | | | @codeList [Optional]
| | | | | @listName [Optional]
| | | | | @listVersion [Optional]
| | | | | color 0-1
| | | | | @numberingOrg [Optional]
| | | | | @codeList [Optional]
| | | | | @listName [Optional]
| | | | | @listVersion [Optional]
| | | | | added 0-9
| | | | | @numberingOrg [Optional]
| | | | | @addType [Optional]
| | | | | description 0-unbounded
| | | | | @ln [Optional]

- or -

| | | | | **acsCode 1-2**
| | | | | @numberingOrg [Optional]
| | | | | art 1-1
| | | | | @numberingOrg [Optional]
| | | | | @codeList [Optional]
| | | | | @listName [Optional]
| | | | | @listVersion [Optional]
| | | | | pattern 0-1
| | | | | @numberingOrg [Optional]
| | | | | @codeList [Optional]
| | | | | @listName [Optional]
| | | | | @listVersion [Optional]
| | | | | color 0-1
| | | | | @numberingOrg [Optional]
| | | | | @codeList [Optional]
| | | | | @listName [Optional]
| | | | | @listVersion [Optional]
| | | | | added 0-9
| | | | | @numberingOrg [Optional]
| | | | | @addType [Optional]
| | | | | description 0-unbounded
| | | | | @ln [Optional]

- or -

| | | | | **garmentPartCode 1-2**
| | | | | @numberingOrg [Optional]
| | | | | gPart 1-1
| | | | | mod 1-1
| | | | | @numberingOrg [Optional]
| | | | | @codeList [Optional]
| | | | | @listName [Optional]
| | | | | @listVersion [Optional]
| | | | | fabric 0-1
| | | | | @numberingOrg [Optional]
| | | | | @codeList [Optional]
| | | | | @listName [Optional]

					<ul style="list-style-type: none"> @listVersion [Optional] color 0-1 @numberingOrg [Optional] @codeList [Optional] @listName [Optional] @listVersion [Optional] added 0-19 @numberingOrg [Optional] @addType [Optional] size 0-1 @codeList [Optional] description 0-unbounded @ln [Optional]
				- or -	
					<ul style="list-style-type: none"> garmentCode 1-2 @numberingOrg [Optional]
				- choose -	
					<ul style="list-style-type: none"> garmentCodeB 1-1 @numberingOrg [Optional] mod 1-1 @numberingOrg [Optional] @codeList [Optional] @listName [Optional] @listVersion [Optional] fabric 0-1 @numberingOrg [Optional] @codeList [Optional] @listName [Optional] @listVersion [Optional] color 0-1 @numberingOrg [Optional] @codeList [Optional] @listName [Optional] @listVersion [Optional] garmentVariant 0-9 variantType 1-1 @numberingOrg [Optional] @codeList [Optional] @listName [Optional] @listVersion [Optional] variantCode 1-1 @numberingOrg [Optional] @codeList [Optional] @listName [Optional] @listVersion [Optional] drop 0-1 @codeList [Optional] size 0-1 @codeList [Optional] artGroup 0-1 @numberingOrg [Optional] @codeList [Optional] @listName [Optional] @listVersion [Optional] added 0-9 @numberingOrg [Optional] @addType [Optional] description 0-unbounded @ln [Optional]
				- or -	
					<ul style="list-style-type: none"> garmentCodeA 1-1

```
| | | | | | art 1-1  
| | | | | | | @numberingOrg [Optional]  
| | | | | | | @codeList [Optional]  
| | | | | | | @listName [Optional]  
| | | | | | | @listVersion [Optional]  
| | | | | | description 0-unbounded  
| | | | | | @ln [Optional]  
- end choose -  
- end choose -  
| | | | | | | csRange 0-unbounded  
| | | | | | | @numberingOrg [Optional]  
| | | | | | | @sizeSystemNat [Optional]  
| | | | | | | @sizeSystemSeg [Optional]  
| | | | | | | @sizeSystemBase [Optional]  
| | | | | | | @sizeSystemID [Optional]  
| | | | | | color 0-1  
| | | | | | | @numberingOrg [Optional]  
| | | | | | | @codeList [Optional]  
| | | | | | | @listName [Optional]  
| | | | | | | @listVersion [Optional]  
| | | | | | | garmentVariant 0-9  
| | | | | | | variantType 1-1  
| | | | | | | | @numberingOrg [Optional]  
| | | | | | | | @codeList [Optional]  
| | | | | | | | @listName [Optional]  
| | | | | | | | @listVersion [Optional]  
| | | | | | | variantCode 1-1  
| | | | | | | | @numberingOrg [Optional]  
| | | | | | | | @codeList [Optional]  
| | | | | | | | @listName [Optional]  
| | | | | | | | @listVersion [Optional]  
| | | | | | drop 0-1  
| | | | | | | @codeList [Optional]  
| | | | | | | sizeMatrix 1-1  
| | | | | | | | sizeRow 1-99  
| | | | | | | | | additionalComponentCode 0-9  
| | | | | | | | | @numberingOrg [Optional]  
| | | | | | | | | @codeList [Optional]  
| | | | | | | | | @listName [Optional]  
| | | | | | | | | @listVersion [Optional]  
| | | | | | | | drop 0-1  
| | | | | | | | | @codeList [Optional]  
| | | | | | | | size 1-1  
| | | | | | | | | @codeList [Optional]  
| | | | | | | | qty 0-1  
| | | | | | | | | @um [Required]  
| | | | | | | | itemsList 0-1  
| | | | | | | | | qualityLevel 0-1  
| | | | | | | | | | @numberingOrg [Optional]  
| | | | | | | | | | @codeList [Optional]  
| | | | | | | | | | @listName [Optional]  
| | | | | | | | | | @listVersion [Optional]  
| | | | | | | | | itemIdentification 1-unbounded  
| | | | | | | | | | serialN 1-9  
| | | | | | | | | | | @numberingOrg [Optional]  
| | | | | | | | | | | @idQualifier [Optional]  
| | | | | | | note 0-unbounded  
| | | | | | | | @numberingOrg [Optional]  
| | | | | | | | @codeList [Optional]  
| | | | | | | | @noteLabel [Optional]  
| | | | | | | thirdParty 0-1
```

| @VAT [Optional]
 | @role [Required]
 | @sender [Optional]
 | | id 1-1
 | | | @numberingOrg [Optional]
 | | legalName 0-1
 | | dept 0-1
 | | subDept 0-1
 | | person 0-1
 | | | @email [Optional]
 | | | @phone [Optional]
 | | | @fax [Optional]
 | | street 0-1
 | | city 0-1
 | | subCountry 0-1
 | | country 0-1
 | | postCode 0-1
 | **composition 0-1**
 | | **garmentCompos 0-1**
 | | | percCompos 1-99
 | | | | @fibre [Required]
 | | description 0-unbounded
 | | | @ln [Optional]
 | unitOfMeasure 0-99
 | @codeList [Optional]
 | @listName [Optional]
 | @listVersion [Optional]
 | @measureQualifier [Optional]
 | **measureConversion 0-99**
 | | unitOfSourceMeasure 1-1
 | | | @codeList [Optional]
 | | | @listName [Optional]
 | | | @listVersion [Optional]
 | | | @measureQualifier [Optional]
 | | unitOfTargetMeasure 1-1
 | | | @codeList [Optional]
 | | | @listName [Optional]
 | | | @listVersion [Optional]
 | | | @measureQualifier [Optional]
 | | conversionRate 1-1
 | **productDim 0-1**
 | | length 1-1
 | | | @um [Required]
 | | width 0-1
 | | | @um [Required]
 | | height 0-1
 | | | @um [Required]
 | **handlingChar 0-1**
 | -choose -
 | | **yarnPack 0-1**
 | | | **yarnReel 1-1**
 | | | | @reelType [Required]
 | | | | @reelMat [Optional]
 | | | | | yarnReelD 0-1
 | | | | | | @um [Required]
 | | | | | yarnReelH 0-1
 | | | | | | @um [Required]
 | | | | yarnConeAngle 0-1
 | | | | yarnReelQty 0-2
 | | | | | @um [Required]
 | | | label 0-1

```

| | | | | | | | labelWrit 0-1
| | | | | | | | yarnInWrap 0-1
| | | | | | | | | yarnReelWrap 1-1
| | | | | | | | | label 0-1
| | | | | | | | | labelWrit 0-1
| | | | | | | | | - choose -
| | | | | | | | | | yarnOutWrapText 0-1
| | | | | | | | | | - or -
| | | | | | | | | | | yarnOutWrap 0-1
| | | | | | | | | | | - end choose -
| | | | | | | | | | - or -
| | | | | | | | | | piecePack 0-1
| | | | | | | | | | - choose -
| | | | | | | | | | | piecePackText 1-1
| | | | | | | | | | | - or -
| | | | | | | | | | | pieceInnWrap1 1-1
| | | | | | | | | | | pieceInnWrap2 0-1
| | | | | | | | | | | pieceOutWrap 0-1
| | | | | | | | | | | - end choose -
| | | | | | | | | | | - or -
| | | | | | | | | | | acsPack 0-1
| | | | | | | | | | | - choose -
| | | | | | | | | | | | acsPackCode 1-1
| | | | | | | | | | | | - or -
| | | | | | | | | | | | acsPackText 1-1
| | | | | | | | | | | | - end choose -
| | | | | | | | | | | | - or -
| | | | | | | | | | | | garPack 0-1
| | | | | | | | | | | | - choose -
| | | | | | | | | | | | | garPackCode 1-1
| | | | | | | | | | | | | - or -
| | | | | | | | | | | | | garPackText 1-1
| | | | | | | | | | | | | - end choose -
| | | | | | | | | | | | | - end choose -
| | | | | | | | | | | | | sortableIndicator 0-1
| | | | | | | | | | | | | stackabilityLevel 0-1
| | | | | | | | | | | | | handlingType 0-1
| | | | | | | | | | | | | @In [Optional]
| | | | | | | | | | | | | volume 0-1
| | | | | | | | | | | | | @um [Required]
| | | | | | | | | | | | | netWeight 0-1
| | | | | | | | | | | | | @um [Required]
| | | | | | | | | | | | | grossWeight 0-1
| | | | | | | | | | | | | @um [Required]
| | | | | | | | | | | | | note 0-99
| | | | | | | | | | | | | @numberingOrg [Optional]
| | | | | | | | | | | | | @codeList [Optional]
| | | | | | | | | | | | | @noteLabel [Optional]
| | | | | | | | | | | | | packages 0-99
| | | | | | | | | | | | | @packageLevel [Optional]
| | | | | | | | | | | | | - choose -
| | | | | | | | | | | | | | packageText 1-1
| | | | | | | | | | | | | | - or -
| | | | | | | | | | | | | | package 1-1
| | | | | | | | | | | | | | - end choose -
| | | | | | | | | | | | | | packageModelCode 0-1
| | | | | | | | | | | | | | @numberingOrg [Optional]
| | | | | | | | | | | | | | description 0-unbounded
| | | | | | | | | | | | | | @In [Optional]
| | | | | | | | | | | | | | packageDim 0-1
| | | | | | | | | | | | | | | length 1-1

```

```

| | | | | | @um [Required]
| | | | | | width 0-1
| | | | | | @um [Required]
| | | | | | height 0-1
| | | | | | @um [Required]
| | | | | | handlingChar 0-1
- choose -
| | | | | | yarnPack 0-1
| | | | | | yarnReel 1-1
| | | | | | @reelType [Required]
| | | | | | @reelMat [Optional]
| | | | | | yarnReelD 0-1
| | | | | | @um [Required]
| | | | | | yarnReelH 0-1
| | | | | | @um [Required]
| | | | | | yarnConeAngle 0-1
| | | | | | yarnReelQty 0-2
| | | | | | @um [Required]
| | | | | | label 0-1
| | | | | | labelWrit 0-1
| | | | | | yarnInWrap 0-1
| | | | | | yarnReelWrap 1-1
| | | | | | label 0-1
| | | | | | labelWrit 0-1
- choose -
| | | | | | yarnOutWrapText 0-1
- or -
| | | | | | yarnOutWrap 0-1
- end choose -
- or -
| | | | | | piecePack 0-1
- choose -
| | | | | | piecePackText 1-1
- or -
| | | | | | pieceInnWrap1 1-1
| | | | | | pieceInnWrap2 0-1
| | | | | | pieceOutWrap 0-1
- end choose -
- or -
| | | | | | acsPack 0-1
- choose -
| | | | | | acsPackCode 1-1
- or -
| | | | | | acsPackText 1-1
- end choose -
- or -
| | | | | | garPack 0-1
- choose -
| | | | | | garPackCode 1-1
- or -
| | | | | | garPackText 1-1
- end choose -
- end choose -
| | | | | | sortableIndicator 0-1
| | | | | | stackabilityLevel 0-1
| | | | | | handlingType 0-1
| | | | | | @In [Optional]
| | | | | | volume 0-1
| | | | | | @um [Required]
| | | | | | netWeight 0-1
| | | | | | @um [Required]

```

```

| | | | | grossWeight 0-1
| | | | |   @um [Required]
| | | | | note 0-99
| | | | |   @numberingOrg [Optional]
| | | | |   @codeList [Optional]
| | | | |   @noteLabel [Optional]
| | | | | itemsPerPackage 0-1
| | | | |   @um [Required]
| | | | | minItemsPerPackage 0-1
| | | | |   @um [Required]
| | | | | fillingCriterion 0-9
| | | | |   @progr [Optional]
| | | | | packageQty 0-1
| | | | | packageN 0-unbounded
| | | | |   @numberingOrg [Optional]
| | | | |   @packageContainerN [Optional]
| | | | | EPClist 0-1
| | | | |   EPC 1-unbounded
| | | | |   @numberingOrg [Optional]
| | | | |   @TID [Optional]
| | | | | extendedDescription 0-unbounded
| | | | |   @ln [Optional]
| | | | | dtScheme 0-1
| | | | |   @taxType [Required]
| | | | |   taxCategory 0-1
| | | | |   taxRate 0-1
| | | | |   legalRef 0-1
| | | | |   @codeList [Required]
| | | | |   note 0-99
| | | | |   @numberingOrg [Optional]
| | | | |   @codeList [Optional]
| | | | |   @noteLabel [Optional]
| | | | | note 0-99
| | | | |   @numberingOrg [Optional]
| | | | |   @codeList [Optional]
| | | | |   @noteLabel [Optional]
| | | | | packages 0-99
| | | | |   @packageLevel [Optional]
| | | | | - choose -
| | | | |   packageText 1-1
| | | | | - or -
| | | | |   package 1-1
| | | | | - end choose -
| | | | |   packageModelCode 0-1
| | | | |   @numberingOrg [Optional]
| | | | | description 0-unbounded
| | | | |   @ln [Optional]
| | | | | packageDim 0-1
| | | | |   length 1-1
| | | | |   @um [Required]
| | | | |   width 0-1
| | | | |   @um [Required]
| | | | |   height 0-1
| | | | |   @um [Required]
| | | | | handlingChar 0-1
| | | | | - choose -
| | | | |   yarnPack 0-1
| | | | |     yarnReel 1-1
| | | | |     @reelType [Required]
| | | | |     @reelMat [Optional]
| | | | |     | yarnReelID 0-1

```



```

| | | | | | @um [Required]
| | | | | | yarnReelIH 0-1
| | | | | | @um [Required]
| | | | | | yarnConeAngle 0-1
| | | | | | yarnReelQty 0-2
| | | | | | @um [Required]
| | | | | | label 0-1
| | | | | | labelWrit 0-1
| | | | | | yarnInWrap 0-1
| | | | | | | yarnReelWrap 1-1
| | | | | | | label 0-1
| | | | | | | labelWrit 0-1
| | | | | | - choose -
| | | | | | | yarnOutWrapText 0-1
| | | | | | - or -
| | | | | | | yarnOutWrap 0-1
| | | | | | - end choose -
| | | | | | - or -
| | | | | | | piecePack 0-1
| | | | | | - choose -
| | | | | | | piecePackText 1-1
| | | | | | - or -
| | | | | | | pieceInnWrap1 1-1
| | | | | | | pieceInnWrap2 0-1
| | | | | | | pieceOutWrap 0-1
| | | | | | - end choose -
| | | | | | - or -
| | | | | | | acsPack 0-1
| | | | | | - choose -
| | | | | | | acsPackCode 1-1
| | | | | | - or -
| | | | | | | acsPackText 1-1
| | | | | | - end choose -
| | | | | | - or -
| | | | | | | garPack 0-1
| | | | | | - choose -
| | | | | | | garPackCode 1-1
| | | | | | - or -
| | | | | | | garPackText 1-1
| | | | | | - end choose -
| | | | | | - end choose -
| | | | | | | sortableIndicator 0-1
| | | | | | | stackabilityLevel 0-1
| | | | | | | handlingType 0-1
| | | | | | | @In [Optional]
| | | | | | | volume 0-1
| | | | | | | @um [Required]
| | | | | | | netWeight 0-1
| | | | | | | @um [Required]
| | | | | | | grossWeight 0-1
| | | | | | | @um [Required]
| | | | | | | note 0-99
| | | | | | | @numberingOrg [Optional]
| | | | | | | @codeList [Optional]
| | | | | | | @noteLabel [Optional]
| | | | | | itemsPerPackage 0-1
| | | | | | | @um [Required]
| | | | | | minItemsPerPackage 0-1
| | | | | | | @um [Required]
| | | | | | fillingCriterion 0-9
| | | | | | | @progr [Optional]

```

			packageQty 0-1
			packageN 0-unbounded
			@numberingOrg [Optional]
			@packageContainerN [Optional]
			EPCList 0-1
			EPC 1-unbounded
			@numberingOrg [Optional]
			@TID [Optional]
			note 0-99
			@numberingOrg [Optional]
			@codeList [Optional]
			@noteLabel [Optional]

2.2 Detailed description of document elements

Following tables show all elements (complex and simple) used in this document. Description includes: 1) element's information: xml tag, name, brief description, data type and syntax constraints; 2) information about use of the element in a particular position in the document: xpath and possible associated notes.

2.2.1 Complex elements (Aggregate Business Information Entities)

Complex elements are those elements whose content is composed of other elements (childs). Complex elements are alphabetically ordered.

acsCode	full codification identifying an accessory product usually coupled with garment or other fashion product (XPath GARMasterData/GMbody/GMgroup/GMitem/fashionProd/acsCode) 1-2 - note: <i>this element can have two instances only if the numbering organisations are different</i>
acsPack	type of wrapping or packing of the accessory (XPath GARMasterData/GMbody/GMgroup/packages/handlingChar/acsPack) 0-1 (XPath GARMasterData/packages/handlingChar/acsPack) 0-1 (XPath GARMasterData/GMbody/GMgroup/GMitem/packages/handlingChar/acsPack) 0-1 (XPath GARMasterData/GMbody/GMgroup/GMitem/handlingChar/acsPack) 0-1
attachment	an attached document. An attachment can refer to an external document or be included with the document being exchanged (XPath GARMasterData/GMbody/GMgroup/refDoc/attachment) 0-1 (XPath GARMasterData/GMbody/GMgroup/GMitem/refDoc/attachment) 0-1 (XPath GARMasterData/GMheader/refDoc/attachment) 0-1
composition	Composition of a garment product or of a part of it (XPath GARMasterData/GMbody/GMgroup/GMitem/composition) 0-1
csRange	range of color-size for a fashion article (XPath GARMasterData/GMbody/GMgroup/GMitem/fashionProd/csRange) 0-unbounded
dtScheme	set of data usable to declare the duty or tax applied (XPath GARMasterData/GMbody/GMgroup/GMitem/dtScheme) 0-1
EPCList	list of identifiers used for tracing a physical item with RFID technology (XPath GARMasterData/GMbody/GMgroup/GMitem/packages/EPCList) 0-1 - note: <i>this element is DEPRECATED, please use the specific elements (XPath GARMasterData/packages/EPCList) 0-1</i> - note: <i>this element is DEPRECATED, please use the specific elements (XPath GARMasterData/GMbody/GMgroup/packages/EPCList) 0-1</i> - note: <i>this element is DEPRECATED, please use the specific elements</i>
externalReference	details about an external object, such as a document stored at a remote location (XPath GARMasterData/GMheader/refDoc/attachment/externalReference) 0-99 (XPath GARMasterData/GMbody/GMgroup/refDoc/attachment/externalReference) 0-99 (XPath GARMasterData/GMbody/GMgroup/GMitem/refDoc/attachment/externalReference) 0-99
fashionProd	identification of the fashion product or its part (fabric, yarn, accessory, final product or part of it, ...). (XPath GARMasterData/GMbody/GMgroup/GMitem/fashionProd) 1-1
garmentCategory	classification of a garment article (XPath GARMasterData/GMbody/GMgroup/GMitem/garmentCategory) 0-1
garmentCode	codification of the garment product

	(XPath GARMasterData/GMbody/GMgroup/GMitem/fashionProd/garmentCode) 1-2 - note: <i>this element can have two instances only if the numbering organisations are different</i>
garmentCodeA	codification of the garment product- type A (XPath GARMasterData/GMbody/GMgroup/GMitem/fashionProd/garmentCode/garmentCodeA) 1-1 - note: <i>here the barcode EAN-13 or EAN-8 should be specified</i>
garmentCodeB	codification of the garment product - type B (XPath GARMasterData/GMbody/GMgroup/GMitem/fashionProd/garmentCode/garmentCodeB) 1-1
garmentCompos	Quantitative composition of a garment product (of its part) (XPath GARMasterData/GMbody/GMgroup/GMitem/composition/garmentCompos) 0-1
garmentPartCode	codification of the component or part of a fashion article (XPath GARMasterData/GMbody/GMgroup/GMitem/fashionProd/garmentPartCode) 1-2 - note: <i>this element can have two instances only if the numbering organisations are different</i>
garmentVariant	garment product variant (XPath GARMasterData/GMbody/GMgroup/GMitem/fashionProd/csRange/garmentVariant) 0-9 - note: <i>used only if not already specified in the article code</i> (XPath GARMasterData/GMbody/GMgroup/GMitem/fashionProd/garmentCode/garmentCodeB/garmentVariant) 0-9
garPack	the packaging mode of the item or a part of it. (XPath GARMasterData/GMbody/GMgroup/packages/handlingChar/garPack) 0-1 (XPath GARMasterData/GMbody/GMgroup/GMitem/packages/handlingChar/garPack) 0-1 (XPath GARMasterData/GMbody/GMgroup/GMitem/handlingChar/garPack) 0-1 (XPath GARMasterData/packages/handlingChar/garPack) 0-1
GMbody	Body of the document Fashion Master Data. (XPath GARMasterData/GMbody) 1-1
GMgroup	Articles grouping of the fashion products or their parts. (XPath GARMasterData/GMbody/GMgroup) 1-unbounded
GMheader	Header of the document Fashion Master Data. (XPath GARMasterData/GMheader) 1-1
GMitem	Details of a fashion product or part or component (i.e. fabric, yarn, accessory). (XPath GARMasterData/GMbody/GMgroup/GMitem) 1-unbounded
goodsClassification	goods classification of the item. (XPath GARMasterData/GMbody/GMgroup/GMitem/garmentCategory/goodsClassification) 0-9
handlingChar	features of an item (item or package) useful for its transport and warehouse management. (XPath GARMasterData/packages/handlingChar) 0-1 - note: <i>in this case the characteristics are related to the package.</i> (XPath GARMasterData/GMbody/GMgroup/GMitem/handlingChar) 0-1 - note: <i>In this case the characteristics are related to the good.</i> (XPath GARMasterData/GMbody/GMgroup/GMitem/packages/handlingChar) 0-1 - note: <i>in this case the characteristics are related to the package.</i> (XPath GARMasterData/GMbody/GMgroup/packages/handlingChar) 0-1 - note: <i>in this case the characteristics are related to the package.</i>
itemIdentification	serial identification of a product unit

	(XPath GARMasterData/GMbody/GMgroup/GMitem/fashionProd/csRange/sizeMatrix/sizeRow/itemsList/itemIdentification) 1-unbounded - note: <i>identification of the single product unit contained in the list</i>
itemsList	list of the single product units (XPath GARMasterData/GMbody/GMgroup/GMitem/fashionProd/csRange/sizeMatrix/sizeRow/itemsList) 0-1 - note: <i>the usage in this position is alternative to its usage within the document line element</i>
measureConversion	Details to convert two different unit of measure. (XPath GARMasterData/GMbody/GMgroup/GMitem/measureConversion) 0-99
packageDim	dimensions of a transport package (XPath GARMasterData/GMbody/GMgroup/packages/packageDim) 0-1 (XPath GARMasterData/packages/packageDim) 0-1 (XPath GARMasterData/GMbody/GMgroup/GMitem/packages/packageDim) 0-1
packages	describes the composition of the transport packaging. Each element corresponds to a type of package: type, quantity, hierarchic level, list of identifiers of the single packages (XPath GARMasterData/packages) 0-99 (XPath GARMasterData/GMbody/GMgroup/packages) 0-99 (XPath GARMasterData/GMbody/GMgroup/GMitem/packages) 0-99
piecePack	type of wrapping or packing of the fabric pieces (XPath GARMasterData/GMbody/GMgroup/packages/handlingChar/piecePack) 0-1 (XPath GARMasterData/packages/handlingChar/piecePack) 0-1 (XPath GARMasterData/GMbody/GMgroup/GMitem/handlingChar/piecePack) 0-1 (XPath GARMasterData/GMbody/GMgroup/GMitem/packages/handlingChar/piecePack) 0-1
productDim	Dimensions of an object. (XPath GARMasterData/GMbody/GMgroup/GMitem/productDim) 0-1
receiverParty	Details of the party receiving the document. - base type: Nad, (XPath GARMasterData/GMheader/receiverParty) 1-1
refDoc	identification of a document and of an item thereof, to which the message makes reference (XPath GARMasterData/GMbody/GMgroup/GMitem/refDoc) 0-9 (XPath GARMasterData/GMheader/refDoc) 0-unbounded (XPath GARMasterData/GMbody/GMgroup/refDoc) 0-9
senderParty	Details of the party sending the document. - base type: Nad, (XPath GARMasterData/GMheader/senderParty) 1-1
sizeMatrix	size matrix of an apparel product (XPath GARMasterData/GMbody/GMgroup/GMitem/fashionProd/csRange/sizeMatrix) 1-1
sizeRow	size matrix row of an apparel product (XPath GARMasterData/GMbody/GMgroup/GMitem/fashionProd/csRange/sizeMatrix/sizeRow) 1-99
texCode	full codification of the textile product (XPath GARMasterData/GMbody/GMgroup/GMitem/fashionProd/texCode) 1-2 - note: <i>this element can have two instances only if the numbering organisations are different</i>
thirdParty	details of the Third Party, different from Buyer or Supplier - base type: Nad, (XPath GARMasterData/GMbody/GMgroup/GMitem/thirdParty) 0-1 (XPath GARMasterData/GMheader/thirdParty) 0-unbounded
yarnCode	full codification of a yarn product

	(XPath GARMasterData/GMbody/GMgroup/GMitem/fashionProd/yarnCode) 1-2 - note: <i>this element can have two instances only if the numbering organisations are different</i>
yarnInWrap	details specifying the inner wrapping of a yarn product (XPath GARMasterData/GMbody/GMgroup/GMitem/handlingChar/yarnPack/yarnInWrap) 0-1 (XPath GARMasterData/GMbody/GMgroup/GMitem/packages/handlingChar/yarnPack/yarnInWrap) 0-1 (XPath GARMasterData/GMbody/GMgroup/packages/handlingChar/yarnPack/yarnInWrap) 0-1 (XPath GARMasterData/packages/handlingChar/yarnPack/yarnInWrap) 0-1
yarnPack	details of type of presentation used for the yarn (XPath GARMasterData/GMbody/GMgroup/GMitem/packages/handlingChar/yarnPack) 0-1 (XPath GARMasterData/packages/handlingChar/yarnPack) 0-1 (XPath GARMasterData/GMbody/GMgroup/GMitem/handlingChar/yarnPack) 0-1 (XPath GARMasterData/GMbody/GMgroup/packages/handlingChar/yarnPack) 0-1
yarnReel	details of the packaging of a yarn product (bobbin and reel,..) (XPath GARMasterData/GMbody/GMgroup/packages/handlingChar/yarnPack/yarnReel) 1-1 (XPath GARMasterData/packages/handlingChar/yarnPack/yarnReel) 1-1 (XPath GARMasterData/GMbody/GMgroup/GMitem/packages/handlingChar/yarnPack/yarnReel) 1-1 (XPath GARMasterData/GMbody/GMgroup/GMitem/handlingChar/yarnPack/yarnReel) 1-1

2.2.2 Simple elements (Basic Business Information Entities)

Simple elements are those elements whose content is characterized by a data type plus a domain of possible values. Simple elements are alphabetically ordered.

acsPackCode	code specifying the type of wrapping or packing used for the accessory - base type: string, (XPath GARMasterData/packages/handlingChar/acsPack/acsPackCode) 1-1 (XPath GARMasterData/GMbody/GMgroup/packages/handlingChar/acsPack/acsPackCode) 1-1 (XPath GARMasterData/GMbody/GMgroup/GMitem/handlingChar/acsPack/acsPackCode) 1-1 (XPath GARMasterData/GMbody/GMgroup/GMitem/packages/handlingChar/acsPack/acsPackCode) 1-1
acsPackText	free text specifying the type of wrapping or packing used for the accessory - base type: string, max length: 250, (XPath GARMasterData/GMbody/GMgroup/GMitem/packages/handlingChar/acsPack/acsPackText) 1-1 (XPath GARMasterData/packages/handlingChar/acsPack/acsPackText) 1-1 (XPath GARMasterData/GMbody/GMgroup/GMitem/handlingChar/acsPack/acsPackText) 1-1 (XPath GARMasterData/GMbody/GMgroup/packages/handlingChar/acsPack/acsPackText) 1-1
added	additional code of the product (complementing the formers) - base type: string, max length: 80, (XPath GARMasterData/GMbody/GMgroup/GMitem/fashionProd/acsCode/added) 0-9 - note: <i>here an additional codification (see table T44) can be specified</i> (XPath GARMasterData/GMbody/GMgroup/GMitem/fashionProd/texCode/added) 0-9 - note: <i>here an additional codification (see table T44) can be specified</i> (XPath GARMasterData/GMbody/GMgroup/GMitem/fashionProd/yarnCode/added) 0-9

	<p>- note: <i>here an additional codification (see table T44) can be specified</i> (XPath GARMasterData/GMbody/GMgroup/GMitem/fashionProd/ garmentPartCode/added) 0-19 (XPath GARMasterData/GMbody/GMgroup/GMitem/fashionProd/ garmentCode/garmentCodeB/added) 0-9</p>
additionalComponentCode	<p>an additional code to identify a fashion product or a part of it (it is a way to codify the item, but it is not one of the codes to identify it). It is not a serial identifier.</p> <p>- base type: string, (XPath GARMasterData/GMbody/GMgroup/GMitem/fashionProd/ csRange/sizeMatrix/sizeRow/additionalComponentCode) 0-9 (XPath GARMasterData/GMbody/GMgroup/GMitem/fashionProd/additionalComponentCode) 0-9</p> <p>- note: <i>If the code is related to the size, the (non serial) unique product code should not be here (use the same element within sizeRow).</i></p>
@addType	<p>qualifier of the additional coding of a product</p> <p>- base type: string, cod. table: T44 http://www.ebiz.enea.it/moda-ml/repository/codelist/draft/gc_T44.xml (XPath GARMasterData/GMbody/GMgroup/GMitem/fashionProd/ garmentPartCode/added/@addType) [Optional]</p> <p>- nota: <i>addType allows the clarification of the meaning of the added element content; it is strongly suggested to use it always.</i> (XPath GARMasterData/GMbody/GMgroup/GMitem/fashionProd/ garmentCode/garmentCodeB/added/@addType) [Optional]</p> <p>- nota: <i>addType allows the clarification of the meaning of the added element content; it is strongly suggested to use it always.</i> (XPath GARMasterData/GMbody/GMgroup/GMitem/fashionProd/ acsCode/added/@addType) [Optional]</p> <p>- nota: <i>addType allows the clarification of the meaning of the added element content; it is strongly suggested to use it always.</i> (XPath GARMasterData/GMbody/GMgroup/GMitem/fashionProd/ yarnCode/added/@addType) [Optional]</p> <p>- nota: <i>addType allows the clarification of the meaning of the added element content; it is strongly suggested to use it always.</i> (XPath GARMasterData/GMbody/GMgroup/GMitem/fashionProd/ texCode/added/@addType) [Optional]</p> <p>- nota: <i>addType allows the clarification of the meaning of the added element content; it is strongly suggested to use it always.</i></p>
art	<p>article number of the product</p> <p>- base type: string, max length: 80, (XPath GARMasterData/GMbody/GMgroup/GMitem/fashionProd/ texCode/art) 1-1</p> <p>- note: <i>can be used either for the base-article (excluding pattern/colour) or for the SKU</i> (XPath GARMasterData/GMbody/GMgroup/GMitem/fashionProd/ yarnCode/art) 1-1 (XPath GARMasterData/GMbody/GMgroup/GMitem/fashionProd/ garmentCode/garmentCodeA/art) 1-1 (XPath GARMasterData/GMbody/GMgroup/GMitem/fashionProd/ acsCode/art) 1-1</p>
artGroup	<p>code identifying a class of products</p> <p>- base type: string, max length: 40, (XPath GARMasterData/GMbody/GMgroup/GMitem/fashionProd/ garmentCode/garmentCodeB/artGroup) 0-1 (XPath GARMasterData/GMbody/GMgroup/artGroup) 0-1 (XPath GARMasterData/GMbody/GMgroup/GMitem/garmentCategory/artGroup) 0-1</p>
artGroupName	<p>description of a class of products</p> <p>- base type: string, max length: 80, (XPath GARMasterData/GMbody/GMgroup/artGroupName) 0-1</p>

artSex	code identifying the sex for which a fashion product is intended - base type: string, max length: 15, (XPath GARMasterData/GMbody/GMgroup/GMitem/garmentCategory/artSex) 0-1
artSubGroup	code identifying a sub-class of products - base type: string, max length: 40, (XPath GARMasterData/GMbody/GMgroup/GMitem/garmentCategory/artSubGroup) 0-1
binaryObject	a binary large object containing an attached document - base type: base64Binary, (XPath GARMasterData/GMheader/refDoc/attachment/binaryObject) 0-1 (XPath GARMasterData/GMbody/GMgroup/GMitem/refDoc/attachment/binaryObject) 0-1 (XPath GARMasterData/GMbody/GMgroup/refDoc/attachment/binaryObject) 0-1
brand	A brand name. - base type: string, (XPath GARMasterData/GMbody/GMgroup/GMitem/brand) 0-1
@characterSet	the character set of the binary object if the mime type is text - base type: normalizedString, (XPath GARMasterData/GMbody/GMgroup/refDoc/attachment/binaryObject/@characterSet) [Optional] (XPath GARMasterData/GMbody/GMgroup/GMitem/refDoc/attachment/binaryObject/@characterSet) [Optional] (XPath GARMasterData/GMheader/refDoc/attachment/binaryObject/@characterSet) [Optional]
characterSetCode	the character set of an external document - base type: normalizedString, (XPath GARMasterData/GMheader/refDoc/attachment/externalReference/characterSetCode) 0-1 (XPath GARMasterData/GMbody/GMgroup/GMitem/refDoc/attachment/externalReference/characterSetCode) 0-1 (XPath GARMasterData/GMbody/GMgroup/refDoc/attachment/externalReference/characterSetCode) 0-1
city	name of the city (town, village) - base type: string, max length: 40, (XPath GARMasterData/GMheader/thirdParty/city) 0-1 (XPath GARMasterData/GMheader/receiverParty/city) 0-1 (XPath GARMasterData/GMbody/GMgroup/GMitem/thirdParty/city) 0-1 (XPath GARMasterData/GMheader/senderParty/city) 0-1
class	a code indicating the category (macro-class, class or sub-class) of a commodity classification system the article belongs to. - base type: string, (XPath GARMasterData/GMbody/GMgroup/GMitem/garmentCategory/goodsClassification/class) 0-1
@codeList	it specifies the URL where the list of codes used to make an instance of the element can be found - base type: string, max length: 255, (XPath GARMasterData/GMbody/GMgroup/GMitem/garmentCategory/goodsClassification/macroClass/@codeList) [Optional] (XPath GARMasterData/GMbody/GMgroup/GMitem/garmentCategory/goodsClassification/class/@codeList) [Optional] (XPath GARMasterData/GMbody/GMgroup/GMitem/productLine/@codeList) [Optional]

(XPath GARMasterData/GMbody/GMgroup/GMitem/operationalCode/@codeList) [Optional]

(XPath GARMasterData/GMbody/GMgroup/GMitem/brand/@codeList) [Optional]

(XPath GARMasterData/GMbody/GMgroup/refDoc/season/@codeList) [Optional]

(XPath GARMasterData/GMbody/GMgroup/GMitem/refDoc/season/@codeList) [Optional]

(XPath GARMasterData/GMbody/GMgroup/GMitem/garmentCategory/season/@codeList) [Optional]

(XPath GARMasterData/GMbody/GMgroup/artGroup/@codeList) [Optional]

- nota: *this attribute should be ALTERNATIVE to the others*

(XPath GARMasterData/GMbody/GMgroup/GMitem/garmentCategory/artSex/@codeList) [Optional]

- nota: *this attribute should be ALTERNATIVE to the others*

(XPath GARMasterData/GMbody/GMgroup/GMitem/garmentCategory/artGroup/@codeList) [Optional]

- nota: *this attribute should be ALTERNATIVE to the others*

(XPath GARMasterData/GMbody/GMgroup/GMitem/garmentCategory/artSubGroup/@codeList) [Optional]

- nota: *this attribute should be ALTERNATIVE to the others*

(XPath GARMasterData/GMbody/GMgroup/GMitem/garmentCategory/goodsClassification/subClass/@codeList) [Optional]

(XPath GARMasterData/GMbody/GMgroup/GMitem/fashionProdcRange/sizeMatrix/sizeRow/additionalComponentCode/@codeList) [Optional]

(XPath GARMasterData/GMbody/GMgroup/GMitem/fashionProdcRange/drop/@codeList) [Optional]

(XPath GARMasterData/GMbody/GMgroup/GMitem/fashionProdcRange/sizeMatrix/sizeRow/drop/@codeList) [Optional]

(XPath GARMasterData/GMbody/GMgroup/GMitem/fashionProdcRange/sizeMatrix/sizeRow/itemsList/qualityLevel/@codeList) [Optional]

(XPath GARMasterData/GMbody/GMgroup/GMitem/fashionProdcRange/sizeMatrix/sizeRow/size/@codeList) [Optional]

(XPath GARMasterData/GMbody/GMgroup/GMitem/fashionProdcRange/garmentCode/garmentCodeA/art/@codeList) [Optional]

- nota: *this attribute should be ALTERNATIVE to the others*

(XPath GARMasterData/GMbody/GMgroup/GMitem/fashionProdcRange/garmentCode/garmentCodeB/artGroup/@codeList) [Optional]

- nota: *this attribute should be ALTERNATIVE to the others*

(XPath GARMasterData/GMbody/GMgroup/GMitem/fashionProdcRange/color/@codeList) [Optional]

- nota: *this attribute could be used as alternative to the others*

(XPath GARMasterData/GMbody/GMgroup/GMitem/fashionProdcRange/garmentVariant/variantCode/@codeList) [Optional]

- nota: *this attribute should be ALTERNATIVE to the others*

(XPath GARMasterData/GMbody/GMgroup/GMitem/fashionProdcRange/garmentVariant/variantType/@codeList) [Optional]

- nota: *this attribute should be ALTERNATIVE to the others*

(XPath GARMasterData/GMbody/GMgroup/GMitem/fashionProdcRange/note/@codeList) [Optional]

- nota: *must be used to provide (URL) the list of codes used in "noteLabel"*

(XPath GARMasterData/GMbody/GMgroup/GMitem/dtScheme/note/@codeList) [Optional]

- nota: *must be used to provide (URL) the list of codes used in "noteLabel"*

(XPath GARMasterData/GMbody/GMgroup/GMitem/dtScheme/legalRef/@codeList) [Required]

(XPath GARMasterData/GMbody/GMgroup/GMitem/note/@codeList) [Optional]

- nota: *must be used to provide (URL) the list of codes used in "noteLabel"*

(XPath GARMasterData/GMbody/GMgroup/note/@codeList) [Optional]

- nota: *must be used to provide (URL) the list of codes used in "noteLabel"*

	<p>(XPath GARMasterData/GMbody/GMgroup/packages/handlingChar/note/@codeList) [Optional]</p> <p>- nota: <i>must be used to provide (URL) the list of codes used in "noteLabel"</i></p> <p>(XPath GARMasterData/GMbody/GMgroup/GMitem/measureConversion/unitOfSourceMeasure/@codeList) [Optional]</p> <p>(XPath GARMasterData/GMbody/GMgroup/GMitem/unitOfMeasure/@codeList) [Optional]</p> <p>(XPath GARMasterData/GMbody/GMgroup/GMitem/measureConversion/unitOfTargetMeasure/@codeList) [Optional]</p> <p>(XPath GARMasterData/GMbody/GMgroup/GMitem/packages/handlingChar/note/@codeList) [Optional]</p> <p>- nota: <i>must be used to provide (URL) the list of codes used in "noteLabel"</i></p> <p>(XPath GARMasterData/GMbody/GMgroup/GMitem/handlingChar/note/@codeList) [Optional]</p> <p>- nota: <i>must be used to provide (URL) the list of codes used in "noteLabel"</i></p> <p>(XPath GARMasterData/GMbody/GMgroup/GMitem/fashionProd/texCode/color/@codeList) [Optional]</p> <p>- nota: <i>this attribute could be used as alternative to the others</i></p> <p>(XPath GARMasterData/GMbody/GMgroup/GMitem/fashionProd/texCode/pattern/@codeList) [Optional]</p> <p>- nota: <i>this attribute should be ALTERNATIVE to the others</i></p> <p>(XPath GARMasterData/GMbody/GMgroup/GMitem/fashionProd/acsCode/art/@codeList) [Optional]</p> <p>- nota: <i>this attribute should be ALTERNATIVE to the others</i></p> <p>(XPath GARMasterData/GMbody/GMgroup/GMitem/fashionProd/acsCode/color/@codeList) [Optional]</p> <p>- nota: <i>this attribute could be used as alternative to the others</i></p> <p>(XPath GARMasterData/GMbody/GMgroup/GMitem/fashionProd/acsCode/pattern/@codeList) [Optional]</p> <p>- nota: <i>this attribute should be ALTERNATIVE to the others</i></p> <p>(XPath GARMasterData/GMbody/GMgroup/GMitem/fashionProd/additionalComponentCode/@codeList) [Optional]</p> <p>(XPath GARMasterData/GMbody/GMgroup/GMitem/garmentCategory/note/@codeList) [Optional]</p> <p>- nota: <i>must be used to provide (URL) the list of codes used in "noteLabel"</i></p> <p>(XPath GARMasterData/GMbody/GMgroup/GMitem/fashionProd/yarnCode/art/@codeList) [Optional]</p> <p>- nota: <i>this attribute should be ALTERNATIVE to the others</i></p> <p>(XPath GARMasterData/GMbody/GMgroup/GMitem/fashionProd/texCode/art/@codeList) [Optional]</p> <p>- nota: <i>this attribute should be ALTERNATIVE to the others</i></p> <p>(XPath GARMasterData/GMbody/GMgroup/GMitem/fashionProd/yarnCode/color/@codeList) [Optional]</p> <p>- nota: <i>this attribute could be used as alternative to the others</i></p> <p>(XPath GARMasterData/GMbody/GMgroup/GMitem/fashionProd/garmentPartCode/mod/@codeList) [Optional]</p> <p>- nota: <i>this attribute should be ALTERNATIVE to the others</i></p> <p>(XPath GARMasterData/GMbody/GMgroup/GMitem/fashionProd/garmentCode/garmentCodeB/garmentVariant/variantType/@codeList) [Optional]</p> <p>- nota: <i>this attribute should be ALTERNATIVE to the others</i></p> <p>(XPath GARMasterData/GMbody/GMgroup/GMitem/fashionProd/garmentCode/garmentCodeB/color/@codeList) [Optional]</p> <p>- nota: <i>this attribute could be used as alternative to the others</i></p> <p>(XPath GARMasterData/GMbody/GMgroup/GMitem/fashionProd/garmentCode/garmentCodeB/garmentVariant/variantCode/@codeList) [Optional]</p> <p>- nota: <i>this attribute should be ALTERNATIVE to the others</i></p> <p>(XPath GARMasterData/GMbody/GMgroup/GMitem/fashionProd/garmentCode/garmentCodeB/size/@codeList) [Optional]</p> <p>(XPath GARMasterData/GMbody/GMgroup/GMitem/fashionProd/garmentCode/garmentCodeB/drop/@codeList) [Optional]</p>
--	--

	<p>(XPath GARMasterData/GMbody/GMgroup/GMitem/fashionProd/garmentPartCode/color/@codeList) [Optional]</p> <p>- nota: <i>this attribute could be used as alternative to the others</i></p> <p>(XPath GARMasterData/GMbody/GMgroup/GMitem/fashionProd/garmentPartCode/fabric/@codeList) [Optional]</p> <p>- nota: <i>this attribute should be ALTERNATIVE to the others</i></p> <p>(XPath GARMasterData/GMbody/GMgroup/GMitem/fashionProd/garmentPartCode/size/@codeList) [Optional]</p> <p>(XPath GARMasterData/GMbody/GMgroup/GMitem/fashionProd/garmentCode/garmentCodeB/fabric/@codeList) [Optional]</p> <p>- nota: <i>this attribute should be ALTERNATIVE to the others</i></p> <p>(XPath GARMasterData/GMbody/GMgroup/GMitem/fashionProd/garmentCode/garmentCodeB/mod/@codeList) [Optional]</p> <p>- nota: <i>this attribute should be ALTERNATIVE to the others</i></p> <p>(XPath GARMasterData/GMheader/season/@codeList) [Optional]</p> <p>(XPath GARMasterData/packages/handlingChar/note/@codeList) [Optional]</p> <p>- nota: <i>must be used to provide (URL) the list of codes used in "noteLabel"</i></p> <p>(XPath GARMasterData/GMheader/refDoc/season/@codeList) [Optional]</p> <p>(XPath GARMasterData/GMheader/note/@codeList) [Optional]</p> <p>- nota: <i>must be used to provide (URL) the list of codes used in "noteLabel"</i></p>
@codeQualifier	<p>operational code qualifier: it states if the code is related to a project, an event, an initiative, a sales channel, a management type (eg CITES),</p> <p>- base type: string, cod. table: NT43</p> <p>http://www.ebiz.enea.it/moda-ml/repository/codelist/draft/gc_NT43.xml</p> <p>(XPath GARMasterData/GMbody/GMgroup/GMitem/operationalCode/@codeQualifier) [Optional]</p>
color	<p>colour number of the product, when not included in the model or fabric code</p> <p>- base type: string, max length: 15,</p> <p>(XPath GARMasterData/GMbody/GMgroup/GMitem/fashionProd/garmentCode/garmentCodeB/color) 0-1</p> <p>(XPath GARMasterData/GMbody/GMgroup/GMitem/fashionProd/acsCode/color) 0-1</p> <p>(XPath GARMasterData/GMbody/GMgroup/GMitem/fashionProd/yarnCode/color) 0-1</p> <p>(XPath GARMasterData/GMbody/GMgroup/GMitem/fashionProd/csRange/color) 0-1</p> <p>- note: <i>used only if not already specified in the article code</i></p> <p>(XPath GARMasterData/GMbody/GMgroup/GMitem/fashionProd/texCode/color) 0-1</p> <p>(XPath GARMasterData/GMbody/GMgroup/GMitem/fashionProd/garmentPartCode/color) 0-1</p> <p>- note: <i>when a garment component, it should be the code assigned to the garment article</i></p>
conversionRate	<p>Conversion parameter between two sizes.</p> <p>- base type: decimal,</p> <p>(XPath GARMasterData/GMbody/GMgroup/GMitem/measureConversion/conversionRate) 1-1</p>
country	<p>code of the nation</p> <p>- base type: string, cod. table: T10</p> <p>http://www.ebiz.enea.it/moda-ml/repository/codelist/draft/gc_T10.xml</p> <p>(XPath GARMasterData/GMheader/thirdParty/country) 0-1</p> <p>(XPath GARMasterData/GMheader/senderParty/country) 0-1</p> <p>(XPath GARMasterData/GMheader/receiverParty/country) 0-1</p> <p>(XPath GARMasterData/GMbody/GMgroup/GMitem/thirdParty/country) 0-1</p>
@dateForm	<p>format used for the date</p> <p>- base type: string, cod. table: NT29</p> <p>http://www.ebiz.enea.it/moda-ml/repository/codelist/draft/gc_NT29.xml</p> <p>(XPath GARMasterData/GMheader/refDoc/docDate/@dateForm) [Optional]</p> <p>(XPath GARMasterData/GMbody/GMgroup/refDoc/docDate/@dateForm) [Optional]</p> <p>(XPath GARMasterData/GMheader/validityStart/@dateForm) [Optional]</p>

	(XPath GARMasterData/GMheader/validityEnd/@dateForm) [Optional] (XPath GARMasterData/GMbody/GMgroup/GMitem/refDoc/docDate/@dateForm) [Optional] (XPath GARMasterData/GMheader/msgDate/@dateForm) [Optional]
dept	name or code of a contact department within a Party - base type: string, max length: 40, (XPath GARMasterData/GMheader/thirdParty/dept) 0-1 (XPath GARMasterData/GMheader/senderParty/dept) 0-1 (XPath GARMasterData/GMheader/receiverParty/dept) 0-1 (XPath GARMasterData/GMbody/GMgroup/GMitem/thirdParty/dept) 0-1
description	free text description. The content of the element must be unique, it might be translated and repeated into more languages (thus no more than one instance for each language). - base type: string, max length: 250, (XPath GARMasterData/GMbody/GMgroup/GMitem/fashionProd/garmentCode/garmentCodeB/description) 0-unbounded - note: <i>Product description</i> (XPath GARMasterData/GMbody/GMgroup/GMitem/fashionProd/textCode/description) 0-unbounded - note: <i>Product description</i> (XPath GARMasterData/GMbody/GMgroup/GMitem/fashionProd/garmentPartCode/description) 0-unbounded - note: <i>Product part description</i> (XPath GARMasterData/GMbody/GMgroup/GMitem/composition/description) 0-unbounded - note: <i>Free text description of the composition of the product or its part</i> (XPath GARMasterData/GMbody/GMgroup/description) 0-unbounded - note: <i>group description</i> (XPath GARMasterData/GMbody/GMgroup/GMitem/fashionProd/acsCode/description) 0-unbounded - note: <i>Product description</i> (XPath GARMasterData/packages/description) 0-unbounded (XPath GARMasterData/GMbody/GMgroup/GMitem/fashionProd/yarnCode/description) 0-unbounded - note: <i>Product description</i> (XPath GARMasterData/GMbody/GMgroup/packages/description) 0-unbounded (XPath GARMasterData/GMbody/GMgroup/GMitem/fashionProd/garmentCode/garmentCodeA/description) 0-unbounded - note: <i>Product description</i> (XPath GARMasterData/GMbody/GMgroup/GMitem/packages/description) 0-unbounded
docDate	date of issue of the referenced document, according to one of the patterns YYYY-MM-DD, YYYY-MM-DD:HH-MM or YYYY-WW. - base type: string, (XPath GARMasterData/GMheader/refDoc/docDate) 0-1 (XPath GARMasterData/GMbody/GMgroup/GMitem/refDoc/docDate) 0-1 (XPath GARMasterData/GMbody/GMgroup/refDoc/docDate) 0-1
docID	identification number of the referenced document SINCE 2008-1 ITS USE IN THE HEADER IS DISCOURAGED (REPLACED BY msgID) - base type: string, max length: 80, (XPath GARMasterData/GMheader/refDoc/docID) 1-2 (XPath GARMasterData/GMbody/GMgroup/GMitem/refDoc/docID) 1-2 (XPath GARMasterData/GMbody/GMgroup/refDoc/docID) 1-2
@docType	type or class to which the referenced document belongs - base type: string, cod. table: T21 http://www.ebiz.enea.it/moda-ml/repository/codelist/draft/gc_T21.xml (XPath GARMasterData/GMbody/GMgroup/refDoc/@docType) [Required] (XPath GARMasterData/GMbody/GMgroup/GMitem/refDoc/@docType) [Required] (XPath GARMasterData/GMheader/refDoc/@docType) [Required]
drop	drop number of the garment - base type: string, max length: 15,

	<p>(XPath GARMasterData/GMbody/GMgroup/GMitem/fashionProd/garmentCode/garmentCodeB/drop) 0-1</p> <p>- note: <i>Fill this element if the drop is the same for all the sizes of the model. Otherway specify it within the csRange element</i></p> <p>(XPath GARMasterData/GMbody/GMgroup/GMitem/fashionProd/csRange/drop) 0-1</p> <p>- note: <i>used only if not already specified in the article code</i></p> <p>(XPath GARMasterData/GMbody/GMgroup/GMitem/fashionProd/csRange/sizeMatrix/sizeRow/drop) 0-1</p> <p>- note: <i>DEPRECATED, anyhow it is used only if not already specified in the article code or csRange</i></p>
@email	<p>electronic mail address of the contact person within a Party</p> <p>- base type: string, max length: 250,</p> <p>(XPath GARMasterData/GMheader/receiverParty/person/@email) [Optional]</p> <p>(XPath GARMasterData/GMheader/senderParty/person/@email) [Optional]</p> <p>(XPath GARMasterData/GMbody/GMgroup/GMitem/thirdParty/person/@email) [Optional]</p> <p>(XPath GARMasterData/GMheader/thirdParty/person/@email) [Optional]</p>
@encoding	<p>specifies the decoding algorithm of the binary object</p> <p>- base type: normalizedString,</p> <p>(XPath GARMasterData/GMbody/GMgroup/GMitem/refDoc/attachment/binaryObject/@encoding) [Optional]</p> <p>(XPath GARMasterData/GMbody/GMgroup/refDoc/attachment/binaryObject/@encoding) [Optional]</p> <p>(XPath GARMasterData/GMheader/refDoc/attachment/binaryObject/@encoding) [Optional]</p>
encodingCode	<p>the encoding/decoding algorithm used with the external object</p> <p>- base type: normalizedString,</p> <p>(XPath GARMasterData/GMbody/GMgroup/GMitem/refDoc/attachment/externalReference/encodingCode) 0-1</p> <p>(XPath GARMasterData/GMheader/refDoc/attachment/externalReference/encodingCode) 0-1</p> <p>(XPath GARMasterData/GMbody/GMgroup/refDoc/attachment/externalReference/encodingCode) 0-1</p>
EPC	<p>serial identifier used for tracing a physical item with RFID technology</p> <p>- base type: string,</p> <p>(XPath GARMasterData/packages/EPCList/EPC) 1-unbounded</p> <p>(XPath GARMasterData/GMbody/GMgroup/packages/EPCList/EPC) 1-unbounded</p> <p>(XPath GARMasterData/GMbody/GMgroup/GMitem/packages/EPCList/EPC) 1-unbounded</p>
extendedDescription	<p>extended free text description. The content of the element must be unique, it might be translated and repeated into more languages (thus no more than one instance for each language). This element might contain HTML code (must be managed as CDATA)</p> <p>- base type: string,</p> <p>(XPath GARMasterData/GMbody/GMgroup/GMitem/extendedDescription) 0-unbounded</p> <p>- note: <i>Extended product description</i></p>
fabric	<p>fabric number of the garment</p> <p>- base type: string, max length: 15,</p> <p>(XPath GARMasterData/GMbody/GMgroup/GMitem/fashionProd/garmentCode/garmentCodeB/fabric) 0-1</p> <p>(XPath GARMasterData/GMbody/GMgroup/GMitem/fashionProd/garmentPartCode/fabric) 0-1</p> <p>- note: <i>when a garment component, it should be the code assigned to the garment article</i></p>
@fax	<p>fax number of the contact person within a Party</p> <p>- base type: string, max length: 35,</p>

	<p>(XPath GARMasterData/GMbody/GMgroup/GMitem/thirdParty/person/@fax) [Optional]</p> <p>(XPath GARMasterData/GMheader/senderParty/person/@fax) [Optional]</p> <p>(XPath GARMasterData/GMheader/receiverParty/person/@fax) [Optional]</p> <p>(XPath GARMasterData/GMheader/thirdParty/person/@fax) [Optional]</p>
@fibre	<p>type of fibre used in a textile product</p> <p>- base type: string, cod. table: T19</p> <p>http://www.ebiz.enea.it/moda-ml/repository/codelist/draft/gc_T19.xml</p> <p>(XPath GARMasterData/GMbody/GMgroup/GMitem/composition/garmentCompos/percCompos/@fibre) [Required]</p>
fileName	<p>unique identifier (name) of the file</p> <p>- base type: string, max length: 255,</p> <p>(XPath GARMasterData/GMheader/refDoc/attachment/fileName) 0-1</p> <p>(XPath GARMasterData/GMbody/GMgroup/GMitem/refDoc/attachment/fileName) 0-1</p> <p>(XPath GARMasterData/GMbody/GMgroup/refDoc/attachment/fileName) 0-1</p>
fillingCriterion	<p>the assortment criterion to fill the specified kind of package: it states the homogeneity criterion (eg: "model", "color", "size").</p> <p>- base type: string, cod. table: NT51</p> <p>http://www.ebiz.enea.it/moda-ml/repository/codelist/draft/gc_NT51.xml</p> <p>(XPath GARMasterData/packages/fillingCriterion) 0-9</p> <p>(XPath GARMasterData/GMbody/GMgroup/packages/fillingCriterion) 0-9</p> <p>(XPath GARMasterData/GMbody/GMgroup/GMitem/packages/fillingCriterion) 0-9</p>
@format	<p>the format of the binary content</p> <p>- base type: string,</p> <p>(XPath GARMasterData/GMbody/GMgroup/GMitem/refDoc/attachment/binaryObject/@format) [Optional]</p> <p>(XPath GARMasterData/GMheader/refDoc/attachment/binaryObject/@format) [Optional]</p> <p>(XPath GARMasterData/GMbody/GMgroup/refDoc/attachment/binaryObject/@format) [Optional]</p>
formatCode	<p>the format of the external object</p> <p>- base type: normalizedString,</p> <p>(XPath GARMasterData/GMbody/GMgroup/refDoc/attachment/externalReference/formatCode) 0-1</p> <p>(XPath GARMasterData/GMbody/GMgroup/GMitem/refDoc/attachment/externalReference/formatCode) 0-1</p> <p>(XPath GARMasterData/GMheader/refDoc/attachment/externalReference/formatCode) 0-1</p>
garPackCode	<p>a code specifying the type of packaging used for the item.</p> <p>- base type: string,</p> <p>(XPath GARMasterData/GMbody/GMgroup/GMitem/handlingChar/garPack/garPackCode) 1-1</p> <p>(XPath GARMasterData/packages/handlingChar/garPack/garPackCode) 1-1</p> <p>(XPath GARMasterData/GMbody/GMgroup/GMitem/packages/handlingChar/garPack/garPackCode) 1-1</p> <p>(XPath GARMasterData/GMbody/GMgroup/packages/handlingChar/garPack/garPackCode) 1-1</p>
garPackText	<p>a free text specifying the type of packaging used for the item.</p> <p>- base type: string,</p> <p>(XPath GARMasterData/GMbody/GMgroup/GMitem/packages/handlingChar/garPack/garPackText) 1-1</p> <p>(XPath GARMasterData/packages/handlingChar/garPack/garPackText) 1-1</p> <p>(XPath GARMasterData/GMbody/GMgroup/packages/handlingChar/garPack/garPackText) 1-1</p> <p>(XPath GARMasterData/GMbody/GMgroup/GMitem/handlingChar/garPack/garPackText) 1-1</p>
gPart	<p>code specifying the type of component or part of a fashion product (sleeve, neck, ...)</p>

	<p>- base type: string, cod. table: T48 http://www.ebiz.enea.it/moda-ml/repository/codelist/draft/gc_T48.xml (XPath GARMasterData/GMbody/GMgroup/GMitem/fashionProd/garmentPartCode/gPart) 1-1</p>
grossWeight	<p>the gross weight, declared for transport or customs purpose - base type: decimal, min inclusive: 0, fraction digits: 2, (XPath GARMasterData/packages/handlingChar/grossWeight) 0-1 (XPath GARMasterData/GMbody/GMgroup/packages/handlingChar/grossWeight) 0-1 (XPath GARMasterData/GMbody/GMgroup/GMitem/packages/handlingChar/grossWeight) 0-1 (XPath GARMasterData/GMbody/GMgroup/GMitem/handlingChar/grossWeight) 0-1</p>
handlingType	<p>information to handle the item (eg "breakable"). - base type: string, (XPath GARMasterData/GMbody/GMgroup/GMitem/packages/handlingChar/handlingType) 0-1 (XPath GARMasterData/GMbody/GMgroup/packages/handlingChar/handlingType) 0-1 (XPath GARMasterData/packages/handlingChar/handlingType) 0-1 (XPath GARMasterData/GMbody/GMgroup/GMitem/handlingChar/handlingType) 0-1</p>
height	<p>effective height of a specified object - base type: decimal, min inclusive: 0, fraction digits: 2, (XPath GARMasterData/GMbody/GMgroup/GMitem/productDim/height) 0-1 (XPath GARMasterData/packages/packageDim/height) 0-1 (XPath GARMasterData/GMbody/GMgroup/GMitem/packages/packageDim/height) 0-1 (XPath GARMasterData/GMbody/GMgroup/packages/packageDim/height) 0-1</p>
id	<p>primary identification code of a Party; it is recommended the format: nation code (ISO 3166) + VAT identification number (11 crt), with the qualifier "numberingOrg"= MF - base type: string, max length: 15, (XPath GARMasterData/GMheader/receiverParty/id) 1-1 (XPath GARMasterData/GMheader/thirdParty/id) 1-1 (XPath GARMasterData/GMbody/GMgroup/GMitem/thirdParty/id) 1-1 (XPath GARMasterData/GMheader/senderParty/id) 1-1</p>
@idQualifier	<p>Qualification of the identifier. - base type: string, (XPath GARMasterData/GMbody/GMgroup/GMitem/fashionProdcRange/sizeMatrix/sizeRow/itemsList/itemIdentification/serialN/@idQualifier) [Optional] - nota: <i>this attribute should be used when the numberingOrg attribute is not enough to declare the type of serial identifier</i></p>
@isURL	<p>it indicates if the referred element is an URL (true) or not (false) - base type: boolean, (XPath GARMasterData/GMbody/GMgroup/refDoc/attachment/externalReference/uri/@isURL) [Optional] [Default= true] - nota: <i>usage of URLs is recommended</i> (XPath GARMasterData/GMbody/GMgroup/GMitem/refDoc/attachment/externalReference/uri/@isURL) [Optional] [Default= true] - nota: <i>usage of URLs is recommended</i> (XPath GARMasterData/GMheader/refDoc/attachment/externalReference/uri/@isURL) [Optional] [Default= true] - nota: <i>usage of URLs is recommended</i></p>
itemID	<p>number of the line/item of the referenced document - base type: string, max length: 6, (XPath GARMasterData/GMbody/GMgroup/refDoc/itemID) 0-1 (XPath GARMasterData/GMheader/refDoc/itemID) 0-1 (XPath GARMasterData/GMbody/GMgroup/GMitem/refDoc/itemID) 0-1</p>

itemsPerPackage	<p>the quantity of items that can be contained in a package.</p> <p>- base type: decimal,</p> <p>(XPath GARMasterData/GMbody/GMgroup/packages/itemsPerPackage) 0-1</p> <p>(XPath GARMasterData/GMbody/GMgroup/GMitem/packages/itemsPerPackage) 0-1</p> <p>(XPath GARMasterData/packages/itemsPerPackage) 0-1</p>
label	<p>indicates if the physical object specified has to be labelled</p> <p>- base type: boolean,</p> <p>(XPath GARMasterData/GMbody/GMgroup/packages/handlingChar/yarnPack/yarnInWrap/label) 0-1</p> <p>(XPath GARMasterData/packages/handlingChar/yarnPack/yarnReel/label) 0-1</p> <p>(XPath GARMasterData/GMbody/GMgroup/GMitem/handlingChar/yarnPack/yarnReel/label) 0-1</p> <p>(XPath GARMasterData/packages/handlingChar/yarnPack/yarnInWrap/label) 0-1</p> <p>(XPath GARMasterData/GMbody/GMgroup/GMitem/packages/handlingChar/yarnPack/yarnReel/label) 0-1</p> <p>(XPath GARMasterData/GMbody/GMgroup/packages/handlingChar/yarnPack/yarnReel/label) 0-1</p> <p>(XPath GARMasterData/GMbody/GMgroup/GMitem/packages/handlingChar/yarnPack/yarnInWrap/label) 0-1</p> <p>(XPath GARMasterData/GMbody/GMgroup/GMitem/handlingChar/yarnPack/yarnInWrap/label) 0-1</p>
labelWrit	<p>text that must be written on the lable of a specified physical object when its customization is required</p> <p>- base type: string, max length: 350,</p> <p>(XPath GARMasterData/GMbody/GMgroup/GMitem/packages/handlingChar/yarnPack/yarnInWrap/labelWrit) 0-1</p> <p>(XPath GARMasterData/GMbody/GMgroup/GMitem/packages/handlingChar/yarnPack/yarnReel/labelWrit) 0-1</p> <p>(XPath GARMasterData/packages/handlingChar/yarnPack/yarnReel/labelWrit) 0-1</p> <p>(XPath GARMasterData/packages/handlingChar/yarnPack/yarnInWrap/labelWrit) 0-1</p> <p>(XPath GARMasterData/GMbody/GMgroup/packages/handlingChar/yarnPack/yarnReel/labelWrit) 0-1</p> <p>(XPath GARMasterData/GMbody/GMgroup/GMitem/handlingChar/yarnPack/yarnInWrap/labelWrit) 0-1</p> <p>(XPath GARMasterData/GMbody/GMgroup/GMitem/handlingChar/yarnPack/yarnReel/labelWrit) 0-1</p> <p>(XPath GARMasterData/GMbody/GMgroup/packages/handlingChar/yarnPack/yarnInWrap/labelWrit) 0-1</p>
legalName	<p>legal name of a Party</p> <p>- base type: string, max length: 250,</p> <p>(XPath GARMasterData/GMheader/senderParty/legalName) 0-1</p> <p>(XPath GARMasterData/GMheader/thirdParty/legalName) 0-1</p> <p>(XPath GARMasterData/GMheader/receiverParty/legalName) 0-1</p> <p>(XPath GARMasterData/GMbody/GMgroup/GMitem/thirdParty/legalName) 0-1</p>
legalRef	<p>legal reference of the duty or tax or fee category</p> <p>- base type: string,</p> <p>(XPath GARMasterData/GMbody/GMgroup/GMitem/dtScheme/legalRef) 0-1</p>
length	<p>effective length of a specified object</p> <p>- base type: decimal, min inclusive: 0, fraction digits: 2,</p> <p>(XPath GARMasterData/packages/packageDim/length) 1-1</p> <p>- note: <i>here the maximum dimension must also be specified</i></p> <p>(XPath GARMasterData/GMbody/GMgroup/GMitem/packages/packageDim/length) 1-1</p> <p>- note: <i>here the maximum dimension must also be specified</i></p> <p>(XPath GARMasterData/GMbody/GMgroup/packages/packageDim/length) 1-1</p> <p>- note: <i>here the maximum dimension must also be specified</i></p> <p>(XPath GARMasterData/GMbody/GMgroup/GMitem/productDim/length) 1-1</p>

lineID	<p>unique identifier of the line item of the business document; it is set by the role that produces the document.</p> <p>- base type: string, max length: 30, (XPath GARMasterData/GMbody/GMgroup/GMitem/lineID) 0-1</p>
lineN	<p>number of the line item of the present message (xml document); it is set by the role that produces the document. Usually it is a progressive number, but not always.</p> <p>- base type: positiveInteger, min inclusive: 1, max inclusive: 9999, (XPath GARMasterData/GMbody/GMgroup/GMitem/lineN) 0-1</p>
@listName	<p>the name of the list of codes used to make an instance of the element (it might be thought as descriptive element, i.e. 'fabric printing technologies', or not, i.e. "T264")</p> <p>- base type: string, max length: 40, (XPath GARMasterData/GMbody/GMgroup/GMitem/fashionProd/garmentCode/garmentCodeB/artGroup/@listName) [Optional]</p> <p>- nota: <i>this attribute should always be used coupled with "numberingOrg"</i> (XPath GARMasterData/GMbody/GMgroup/GMitem/fashionProd/garmentCode/garmentCodeA/art/@listName) [Optional]</p> <p>- nota: <i>this attribute should always be used coupled with "numberingOrg"</i> (XPath GARMasterData/GMbody/GMgroup/artGroup/@listName) [Optional]</p> <p>- nota: <i>this attribute should always be used coupled with "numberingOrg"</i> (XPath GARMasterData/GMbody/GMgroup/GMitem/fashionProd/texCode/color/@listName) [Optional]</p> <p>- nota: <i>this attribute should always be used coupled with "numberingOrg"</i> (XPath GARMasterData/GMbody/GMgroup/GMitem/fashionProd/garmentPartCode/color/@listName) [Optional]</p> <p>- nota: <i>this attribute should always be used coupled with "numberingOrg"</i> (XPath GARMasterData/GMbody/GMgroup/GMitem/fashionProd/garmentPartCode/fabric/@listName) [Optional]</p> <p>- nota: <i>this attribute should always be used coupled with "numberingOrg"</i> (XPath GARMasterData/GMbody/GMgroup/GMitem/refDoc/season/@listName) [Optional]</p> <p>(XPath GARMasterData/GMbody/GMgroup/GMitem/fashionProd/garmentCode/garmentCodeB/fabric/@listName) [Optional]</p> <p>- nota: <i>this attribute should always be used coupled with "numberingOrg"</i> (XPath GARMasterData/GMbody/GMgroup/GMitem/fashionProd/acsCode/pattern/@listName) [Optional]</p> <p>- nota: <i>this attribute should always be used coupled with "numberingOrg"</i> (XPath GARMasterData/GMheader/season/@listName) [Optional]</p> <p>(XPath GARMasterData/GMbody/GMgroup/GMitem/fashionProd/acsCode/color/@listName) [Optional]</p> <p>- nota: <i>this attribute should always be used coupled with "numberingOrg"</i> (XPath GARMasterData/GMbody/GMgroup/GMitem/fashionProd/garmentCode/garmentCodeB/color/@listName) [Optional]</p> <p>- nota: <i>this attribute should always be used coupled with "numberingOrg"</i> (XPath GARMasterData/GMbody/GMgroup/GMitem/fashionProd/garmentCode/garmentCodeB/mod/@listName) [Optional]</p> <p>- nota: <i>this attribute should always be used coupled with "numberingOrg"</i> (XPath GARMasterData/GMbody/GMgroup/GMitem/fashionProd/garmentCode/garmentCodeB/garmentVariant/variantCode/@listName) [Optional]</p> <p>- nota: <i>this attribute should always be used coupled with "numberingOrg"</i> (XPath GARMasterData/GMbody/GMgroup/GMitem/fashionProd/garmentPartCode/mod/@listName) [Optional]</p> <p>- nota: <i>this attribute should always be used coupled with "numberingOrg"</i> (XPath GARMasterData/GMbody/GMgroup/GMitem/fashionProd/acsCode/art/@listName) [Optional]</p> <p>- nota: <i>this attribute should always be used coupled with "numberingOrg"</i> (XPath GARMasterData/GMbody/GMgroup/GMitem/fashionProd/garmentCode/garmentCodeB/garmentVariant/variantType/@listName) [Optional]</p> <p>- nota: <i>this attribute should always be used coupled with "numberingOrg"</i> (XPath GARMasterData/GMbody/GMgroup/refDoc/season/@listName) [Optional]</p>

(XPath GARMasterData/GMbody/GMgroup/GMitem/fashionProd/yarnCode/art/@listName) [Optional]
- nota: *this attribute should always be used coupled with “numberingOrg”*
(XPath GARMasterData/GMbody/GMgroup/GMitem/fashionProd/csRange/sizeMatrix/sizeRow/itemsList/qualityLevel/@listName) [Optional]
(XPath GARMasterData/GMbody/GMgroup/GMitem/garmentCategory/goodsClassification/class/@listName) [Optional]
(XPath GARMasterData/GMbody/GMgroup/GMitem/fashionProd/csRange/sizeMatrix/sizeRow/additionalComponentCode/@listName) [Optional]
(XPath GARMasterData/GMbody/GMgroup/GMitem/measureConversion/unitOfSourceMeasure/@listName) [Optional]
(XPath GARMasterData/GMbody/GMgroup/GMitem/fashionProd/yarnCode/color/@listName) [Optional]
- nota: *this attribute should always be used coupled with “numberingOrg”*
(XPath GARMasterData/GMbody/GMgroup/GMitem/unitOfMeasure/@listName) [Optional]
(XPath GARMasterData/GMbody/GMgroup/GMitem/garmentCategory/artSubGroup/@listName) [Optional]
- nota: *this attribute should always be used coupled with “numberingOrg”*
(XPath GARMasterData/GMbody/GMgroup/GMitem/garmentCategory/artGroup/@listName) [Optional]
- nota: *this attribute should always be used coupled with “numberingOrg”*
(XPath GARMasterData/GMbody/GMgroup/GMitem/garmentCategory/goodsClassification/subClass/@listName) [Optional]
(XPath GARMasterData/GMbody/GMgroup/GMitem/productLine/@listName) [Optional]
(XPath GARMasterData/GMbody/GMgroup/GMitem/fashionProd/additionalComponentCode/@listName) [Optional]
(XPath GARMasterData/GMbody/GMgroup/GMitem/operationalCode/@listName) [Optional]
(XPath GARMasterData/GMbody/GMgroup/GMitem/garmentCategory/artSex/@listName) [Optional]
- nota: *this attribute should always be used coupled with “numberingOrg”*
(XPath GARMasterData/GMbody/GMgroup/GMitem/fashionProd/texCode/art/@listName) [Optional]
- nota: *this attribute should always be used coupled with “numberingOrg”*
(XPath GARMasterData/GMbody/GMgroup/GMitem/fashionProd/csRange/garmentVariant/variantType/@listName) [Optional]
- nota: *this attribute should always be used coupled with “numberingOrg”*
(XPath GARMasterData/GMbody/GMgroup/GMitem/fashionProd/csRange/color/@listName) [Optional]
- nota: *this attribute should always be used coupled with “numberingOrg”*
(XPath GARMasterData/GMbody/GMgroup/GMitem/garmentCategory/season/@listName) [Optional]
(XPath GARMasterData/GMbody/GMgroup/GMitem/fashionProd/texCode/pattern/@listName) [Optional]
- nota: *this attribute should always be used coupled with “numberingOrg”*
(XPath GARMasterData/GMheader/refDoc/season/@listName) [Optional]
(XPath GARMasterData/GMbody/GMgroup/GMitem/garmentCategory/goodsClassification/macroClass/@listName) [Optional]
(XPath GARMasterData/GMbody/GMgroup/GMitem/brand/@listName) [Optional]
(XPath GARMasterData/GMbody/GMgroup/GMitem/measureConversion/unitOfTargetMeasure/@listName) [Optional]
(XPath GARMasterData/GMbody/GMgroup/GMitem/fashionProd/csRange/garmentVariant/variantCode/@listName) [Optional]
- nota: *this attribute should always be used coupled with “numberingOrg”*

<p>@listVersion</p>	<p>it specifies the version of the list of codes used to make an instance of the element</p> <ul style="list-style-type: none"> - base type: string, max length: 6, (XPath <code>GARMasterData/GMbody/GMgroup/GMitem/measureConversion/unitOfSourceMeasure/@listVersion</code>) [Optional] (XPath <code>GARMasterData/GMbody/GMgroup/GMitem/unitOfMeasure/@listVersion</code>) [Optional] (XPath <code>GARMasterData/GMbody/GMgroup/GMitem/measureConversion/unitOfTargetMeasure/@listVersion</code>) [Optional] (XPath <code>GARMasterData/GMbody/GMgroup/GMitem/fashionProd/garmentPartCode/color/@listVersion</code>) [Optional] - nota: <i>this attribute should always be used coupled with “numberingOrg” and “listName”</i> (XPath <code>GARMasterData/GMbody/GMgroup/GMitem/fashionProd/garmentCode/garmentCodeB/mod/@listVersion</code>) [Optional] - nota: <i>this attribute should always be used coupled with “numberingOrg” and “listName”</i> (XPath <code>GARMasterData/GMbody/GMgroup/GMitem/fashionProd/csRange/garmentVariant/variantType/@listVersion</code>) [Optional] - nota: <i>this attribute should always be used coupled with “numberingOrg” and “listName”</i> (XPath <code>GARMasterData/GMbody/GMgroup/GMitem/fashionProd/csRange/garmentVariant/variantCode/@listVersion</code>) [Optional] - nota: <i>this attribute should always be used coupled with “numberingOrg” and “listName”</i> (XPath <code>GARMasterData/GMbody/GMgroup/GMitem/fashionProd/garmentCode/garmentCodeB/garmentVariant/variantCode/@listVersion</code>) [Optional] - nota: <i>this attribute should always be used coupled with “numberingOrg” and “listName”</i> (XPath <code>GARMasterData/GMbody/GMgroup/GMitem/fashionProd/garmentCode/garmentCodeA/art/@listVersion</code>) [Optional] - nota: <i>this attribute should always be used coupled with “numberingOrg” and “listName”</i> (XPath <code>GARMasterData/GMbody/GMgroup/GMitem/fashionProd/garmentCode/garmentCodeB/artGroup/@listVersion</code>) [Optional] - nota: <i>this attribute should always be used coupled with “numberingOrg” and “listName”</i> (XPath <code>GARMasterData/GMbody/GMgroup/GMitem/fashionProd/csRange/color/@listVersion</code>) [Optional] - nota: <i>this attribute should always be used coupled with “numberingOrg” and “listName”</i> (XPath <code>GARMasterData/GMheader/refDoc/season/@listVersion</code>) [Optional] (XPath <code>GARMasterData/GMbody/GMgroup/GMitem/fashionProd/garmentCode/garmentCodeB/color/@listVersion</code>) [Optional] - nota: <i>this attribute should always be used coupled with “numberingOrg” and “listName”</i> (XPath <code>GARMasterData/GMheader/season/@listVersion</code>) [Optional] (XPath <code>GARMasterData/GMbody/GMgroup/GMitem/fashionProd/garmentCode/garmentCodeB/fabric/@listVersion</code>) [Optional] - nota: <i>this attribute should always be used coupled with “numberingOrg” and “listName”</i> (XPath <code>GARMasterData/GMbody/GMgroup/GMitem/fashionProd/garmentCode/garmentCodeB/garmentVariant/variantType/@listVersion</code>) [Optional] - nota: <i>this attribute should always be used coupled with “numberingOrg” and “listName”</i> (XPath <code>GARMasterData/GMbody/GMgroup/GMitem/fashionProd/csRange/sizeMatrix/sizeRow/additionalComponentCode/@listVersion</code>) [Optional] (XPath <code>GARMasterData/GMbody/GMgroup/GMitem/fashionProd/csRange/sizeMatrix/sizeRow/itemsList/qualityLevel/@listVersion</code>) [Optional]
---------------------	---

(XPath GARMasterData/GMbody/GMgroup/GMitem/fashionProd/garmentPartCode/fabric/@listVersion) [Optional]
- nota: *this attribute should always be used coupled with “numberingOrg” and “listName”*
(XPath GARMasterData/GMbody/GMgroup/GMitem/garmentCategory/season/@listVersion) [Optional]
(XPath GARMasterData/GMbody/GMgroup/GMitem/fashionProd/acsCode/color/@listVersion) [Optional]
- nota: *this attribute should always be used coupled with “numberingOrg” and “listName”*
(XPath GARMasterData/GMbody/GMgroup/GMitem/garmentCategory/goodsClassification/macroClass/@listVersion) [Optional]
(XPath GARMasterData/GMbody/GMgroup/GMitem/fashionProd/acsCode/pattern/@listVersion) [Optional]
- nota: *this attribute should always be used coupled with “numberingOrg” and “listName”*
(XPath GARMasterData/GMbody/GMgroup/GMitem/garmentCategory/artGroup/@listVersion) [Optional]
- nota: *this attribute should always be used coupled with “numberingOrg” and “listName”*
(XPath GARMasterData/GMbody/GMgroup/GMitem/operationalCode/@listVersion) [Optional]
(XPath GARMasterData/GMbody/GMgroup/GMitem/garmentCategory/artSex/@listVersion) [Optional]
- nota: *this attribute should always be used coupled with “numberingOrg” and “listName”*
(XPath GARMasterData/GMbody/GMgroup/GMitem/garmentCategory/artSubGroup/@listVersion) [Optional]
- nota: *this attribute should always be used coupled with “numberingOrg” and “listName”*
(XPath GARMasterData/GMbody/GMgroup/GMitem/garmentCategory/goodsClassification/class/@listVersion) [Optional]
(XPath GARMasterData/GMbody/GMgroup/GMitem/fashionProd/texCode/art/@listVersion) [Optional]
- nota: *this attribute should always be used coupled with “numberingOrg” and “listName”*
(XPath GARMasterData/GMbody/GMgroup/GMitem/fashionProd/yarnCode/color/@listVersion) [Optional]
- nota: *this attribute should always be used coupled with “numberingOrg” and “listName”*
(XPath GARMasterData/GMbody/GMgroup/GMitem/fashionProd/texCode/color/@listVersion) [Optional]
- nota: *this attribute should always be used coupled with “numberingOrg” and “listName”*
(XPath GARMasterData/GMbody/GMgroup/GMitem/fashionProd/texCode/pattern/@listVersion) [Optional]
- nota: *this attribute should always be used coupled with “numberingOrg” and “listName”*
(XPath GARMasterData/GMbody/GMgroup/GMitem/fashionProd/additionalComponentCode/@listVersion) [Optional]
(XPath GARMasterData/GMbody/GMgroup/GMitem/garmentCategory/goodsClassification/subClass/@listVersion) [Optional]
(XPath GARMasterData/GMbody/GMgroup/GMitem/fashionProd/yarnCode/art/@listVersion) [Optional]
- nota: *this attribute should always be used coupled with “numberingOrg” and “listName”*

	<p>(XPath GARMasterData/GMbody/GMgroup/GMitem/fashionProd/acsCode/art/@listVersion) [Optional]</p> <p>- nota: <i>this attribute should always be used coupled with “numberingOrg” and “listName”</i></p> <p>(XPath GARMasterData/GMbody/GMgroup/GMitem/refDoc/season/@listVersion) [Optional]</p> <p>(XPath GARMasterData/GMbody/GMgroup/GMitem/brand/@listVersion) [Optional]</p> <p>(XPath GARMasterData/GMbody/GMgroup/GMitem/fashionProd/garmentPartCode/mod/@listVersion) [Optional]</p> <p>- nota: <i>this attribute should always be used coupled with “numberingOrg” and “listName”</i></p> <p>(XPath GARMasterData/GMbody/GMgroup/artGroup/@listVersion) [Optional]</p> <p>- nota: <i>this attribute should always be used coupled with “numberingOrg” and “listName”</i></p> <p>(XPath GARMasterData/GMbody/GMgroup/refDoc/season/@listVersion) [Optional]</p> <p>(XPath GARMasterData/GMbody/GMgroup/GMitem/productLine/@listVersion) [Optional]</p>
@In	<p>Language code.</p> <p>- base type: string,</p> <p>(XPath GARMasterData/GMbody/GMgroup/GMitem/handlingChar/handlingType/@In) [Optional]</p> <p>(XPath GARMasterData/GMbody/GMgroup/GMitem/fashionProd/yarnCode/description/@In) [Optional]</p> <p>(XPath GARMasterData/GMbody/GMgroup/packages/description/@In) [Optional]</p> <p>(XPath GARMasterData/GMbody/GMgroup/GMitem/extendedDescription/@In) [Optional]</p> <p>(XPath GARMasterData/GMbody/GMgroup/GMitem/composition/description/@In) [Optional]</p> <p>(XPath GARMasterData/GMbody/GMgroup/description/@In) [Optional]</p> <p>(XPath GARMasterData/GMbody/GMgroup/GMitem/packages/description/@In) [Optional]</p> <p>(XPath GARMasterData/GMbody/GMgroup/GMitem/fashionProd/texCode/description/@In) [Optional]</p> <p>(XPath GARMasterData/GMbody/GMgroup/GMitem/fashionProd/garmentCode/garmentCodeB/description/@In) [Optional]</p> <p>(XPath GARMasterData/GMbody/GMgroup/GMitem/fashionProd/garmentCode/garmentCodeA/description/@In) [Optional]</p> <p>(XPath GARMasterData/GMbody/GMgroup/packages/handlingChar/handlingType/@In) [Optional]</p> <p>(XPath GARMasterData/GMbody/GMgroup/GMitem/packages/handlingChar/handlingType/@In) [Optional]</p> <p>(XPath GARMasterData/GMbody/GMgroup/GMitem/fashionProd/garmentPartCode/description/@In) [Optional]</p> <p>(XPath GARMasterData/packages/description/@In) [Optional]</p> <p>(XPath GARMasterData/GMbody/GMgroup/GMitem/fashionProd/acsCode/description/@In) [Optional]</p> <p>(XPath GARMasterData/packages/handlingChar/handlingType/@In) [Optional]</p>
macroClass	<p>a code indicating the category (macro-class, class or sub-class) of a commodity classification system the article belongs to.</p> <p>- base type: string,</p> <p>(XPath GARMasterData/GMbody/GMgroup/GMitem/garmentCategory/goodsClassification/macroClass) 0-1</p>
@measureQualifier	<p>Unit of measure qualifier.</p> <p>- base type: string,</p> <p>(XPath GARMasterData/GMbody/GMgroup/GMitem/unitOfMeasure/@measureQualifier) [Optional]</p> <p>(XPath GARMasterData/GMbody/GMgroup/GMitem/measureConversion/unitOfSourceMeasure/@measureQualifier) [Optional]</p> <p>(XPath GARMasterData/GMbody/GMgroup/GMitem/measureConversion/unitOfTargetMeasure/@measureQualifier) [Optional]</p>

@mime	<p>the mime type of the binary object</p> <ul style="list-style-type: none"> - base type: normalizedString, <p>(XPath GARMasterData/GMbody/GMgroup/GMitem/refDoc/attachment/binaryObject/@mime) [Optional]</p> <p>(XPath GARMasterData/GMbody/GMgroup/refDoc/attachment/binaryObject/@mime) [Optional]</p> <p>(XPath GARMasterData/GMheader/refDoc/attachment/binaryObject/@mime) [Optional]</p>
mimeCode	<p>mime type of the external object</p> <ul style="list-style-type: none"> - base type: normalizedString, <p>(XPath GARMasterData/GMheader/refDoc/attachment/externalReference/mimeCode) 0-1</p> <p>(XPath GARMasterData/GMbody/GMgroup/refDoc/attachment/externalReference/mimeCode) 0-1</p> <p>(XPath GARMasterData/GMbody/GMgroup/GMitem/refDoc/attachment/externalReference/mimeCode) 0-1</p>
minItemsPerPackage	<p>the minimum quantity of items for the specified kind of package.</p> <ul style="list-style-type: none"> - base type: decimal, min inclusive: 0, <p>(XPath GARMasterData/packages/minItemsPerPackage) 0-1</p> <p>(XPath GARMasterData/GMbody/GMgroup/packages/minItemsPerPackage) 0-1</p> <p>(XPath GARMasterData/GMbody/GMgroup/GMitem/packages/minItemsPerPackage) 0-1</p>
mod	<p>model number of the garment</p> <ul style="list-style-type: none"> - base type: string, max length: 15, <p>(XPath GARMasterData/GMbody/GMgroup/GMitem/fashionProd/garmentPartCode/mod) 1-1</p> <p>- note: <i>when a garment component, it should be the code assigned to the garment article</i></p> <p>(XPath GARMasterData/GMbody/GMgroup/GMitem/fashionProd/garmentCode/garmentCodeB/mod) 1-1</p>
msgDate	<p>date of issue of the present message (xml document), according to one of the patterns YYYY-MM-DD, YYYY-MM-DD:HH-MM or YYYY-WW.</p> <ul style="list-style-type: none"> - base type: string, <p>(XPath GARMasterData/GMheader/msgDate) 1-1</p>
@msgfunction	<p>function performed by the present message with regards to the transmission</p> <ul style="list-style-type: none"> - base type: string, cod. table: NT18 <p>http://www.ebiz.enea.it/moda-ml/repository/codelist/draft/gc_NT18.xml</p> <p>(XPath GARMasterData/@msgfunction) [Optional] [Default= OR]</p>
msgID	<p>key identifier of the business document in the information system of the issuing Party. In case of more despatches of the same business document, it is unchanged.</p> <ul style="list-style-type: none"> - base type: string, max length: 35, <p>(XPath GARMasterData/GMheader/msgID) 1-1</p>
msgN	<p>identification number given to the message (xml document) by its issuer. In case of more despatches of the same business document, it changes.</p> <ul style="list-style-type: none"> - base type: string, max length: 35, <p>(XPath GARMasterData/GMheader/msgN) 1-1</p>
netWeight	<p>the net weight declared for transport or customs purpose</p> <ul style="list-style-type: none"> - base type: decimal, min inclusive: 0, fraction digits: 2, <p>(XPath GARMasterData/GMbody/GMgroup/GMitem/packages/handlingChar/netWeight) 0-1</p> <p>(XPath GARMasterData/packages/handlingChar/netWeight) 0-1</p> <p>(XPath GARMasterData/GMbody/GMgroup/packages/handlingChar/netWeight) 0-1</p> <p>(XPath GARMasterData/GMbody/GMgroup/GMitem/handlingChar/netWeight) 0-1</p>
note	<p>free text or structured (computer processing) note. For note structuring use the attributes "noteLabel" and "codelist"</p> <ul style="list-style-type: none"> - base type: string, max length: 350, <p>(XPath GARMasterData/GMbody/GMgroup/note) 0-99</p>

	<p>- note: <i>Notes for the group</i> (XPath GARMasterData/GMbody/GMgroup/GMitem/dtScheme/note) 0-99 (XPath GARMasterData/GMbody/GMgroup/packages/handlingChar/note) 0-99 (XPath GARMasterData/GMbody/GMgroup/GMitem/packages/handlingChar/note) 0-99 (XPath GARMasterData/GMbody/GMgroup/GMitem/note) 0-99 (XPath GARMasterData/GMbody/GMgroup/GMitem/garmentCategory/note) 0-99 (XPath GARMasterData/GMheader/note) 0-unbounded (XPath GARMasterData/GMbody/GMgroup/GMitem/fashionProd/note) 0-unbounded (XPath GARMasterData/GMbody/GMgroup/GMitem/handlingChar/note) 0-99 (XPath GARMasterData/packages/handlingChar/note) 0-99</p>
@noteLabel	<p>subject qualifier of a note - base type: string, max length: 35, (XPath GARMasterData/packages/handlingChar/note/@noteLabel) [Optional] - nota: <i>must be used to qualify the subject of the note</i> (XPath GARMasterData/GMbody/GMgroup/GMitem/fashionProd/note/@noteLabel) [Optional] - nota: <i>must be used to qualify the subject of the note</i> (XPath GARMasterData/GMbody/GMgroup/note/@noteLabel) [Optional] - nota: <i>must be used to qualify the subject of the note</i> (XPath GARMasterData/GMheader/note/@noteLabel) [Optional] - nota: <i>must be used to qualify the subject of the note</i> (XPath GARMasterData/GMbody/GMgroup/GMitem/note/@noteLabel) [Optional] - nota: <i>must be used to qualify the subject of the note</i> (XPath GARMasterData/GMbody/GMgroup/GMitem/packages/handlingChar/note/@noteLabel) [Optional] - nota: <i>must be used to qualify the subject of the note</i> (XPath GARMasterData/GMbody/GMgroup/GMitem/dtScheme/note/@noteLabel) [Optional] - nota: <i>must be used to qualify the subject of the note</i> (XPath GARMasterData/GMbody/GMgroup/packages/handlingChar/note/@noteLabel) [Optional] - nota: <i>must be used to qualify the subject of the note</i> (XPath GARMasterData/GMbody/GMgroup/GMitem/garmentCategory/note/@noteLabel) [Optional] - nota: <i>must be used to qualify the subject of the note</i> (XPath GARMasterData/GMbody/GMgroup/GMitem/handlingChar/note/@noteLabel) [Optional] - nota: <i>must be used to qualify the subject of the note</i></p>
@numberingOrg	<p>code specifying the organisation who has created or owns the coding or numbering system - base type: string, cod. table: NT6 http://www.ebiz.enea.it/moda-ml/repository/codelist/draft/gc_NT6.xml (XPath GARMasterData/GMbody/GMgroup/GMitem/garmentCategory/goodsClassification/subClass/@numberingOrg) [Optional] (XPath GARMasterData/packages/handlingChar/note/@numberingOrg) [Optional] (XPath GARMasterData/GMheader/note/@numberingOrg) [Optional] (XPath GARMasterData/GMbody/GMgroup/GMitem/packages/packageN/@numberingOrg) [Optional] (XPath GARMasterData/GMbody/GMgroup/GMitem/fashionProd/garmentPartCode/mod/@numberingOrg) [Optional] - nota: <i>this attribute should be ALTERNATIVE to the others</i> (XPath GARMasterData/GMheader/refDoc/docID/@numberingOrg) [Optional] - nota: <i>here can be specified whose document numbering is used (e.g.: Client, Supplier, ..)</i> (XPath GARMasterData/GMbody/GMgroup/GMitem/thirdParty/id/@numberingOrg) [Optional] (XPath GARMasterData/GMbody/GMgroup/GMitem/fashionProd/additionalComponentCode/@numberingOrg) [Optional]</p>

(XPath GARMasterData/GMbody/GMgroup/GMitem/garmentCategory/note/@numberingOrg) [Optional]

(XPath GARMasterData/GMbody/GMgroup/GMitem/refDoc/attachment/fileName/@numberingOrg) [Optional]

(XPath GARMasterData/GMbody/GMgroup/GMitem/packages/handlingChar/note/@numberingOrg) [Optional]

(XPath GARMasterData/GMheader/senderParty/id/@numberingOrg) [Optional]

(XPath GARMasterData/GMbody/GMgroup/GMitem/handlingChar/note/@numberingOrg) [Optional]

(XPath GARMasterData/GMbody/GMgroup/GMitem/fashionProd/garmentPartCode/@numberingOrg) [Optional]

(XPath GARMasterData/GMbody/GMgroup/GMitem/fashionProd/garmentCode/garmentCodeB/color/@numberingOrg) [Optional]

- nota: *this attribute should be used either single or coupled with "listName" and "listVersion"*

(XPath GARMasterData/GMbody/GMgroup/GMitem/fashionProd/garmentCode/garmentCodeB/mod/@numberingOrg) [Optional]

- nota: *this attribute should be ALTERNATIVE to the others*

(XPath GARMasterData/GMbody/GMgroup/GMitem/garmentCategory/season/@numberingOrg) [Optional]

(XPath GARMasterData/GMbody/GMgroup/GMitem/garmentCategory/@numberingOrg) [Optional]

(XPath GARMasterData/packages/packageModelCode/@numberingOrg) [Optional]

(XPath GARMasterData/GMbody/GMgroup/GMitem/fashionProd/acsCode/added/@numberingOrg) [Optional]

(XPath GARMasterData/GMbody/GMgroup/GMitem/garmentCategory/artSex/@numberingOrg) [Optional]

- nota: *this attribute should be used either single or coupled with "listName" and "listVersion"*

(XPath GARMasterData/GMbody/GMgroup/GMitem/garmentCategory/artGroup/@numberingOrg) [Optional]

- nota: *this attribute should be used either single or coupled with "listName" and "listVersion"*

(XPath GARMasterData/GMbody/GMgroup/GMitem/fashionProd/garmentCode/garmentCodeB/fabric/@numberingOrg) [Optional]

- nota: *this attribute should be used either single or coupled with "listName" and "listVersion"*

(XPath GARMasterData/GMbody/GMgroup/GMitem/garmentCategory/artSubGroup/@numberingOrg) [Optional]

- nota: *this attribute should be used either single or coupled with "listName" and "listVersion"*

(XPath GARMasterData/GMbody/GMgroup/GMitem/brand/@numberingOrg) [Optional]

(XPath GARMasterData/GMbody/GMgroup/GMitem/productLine/@numberingOrg) [Optional]

(XPath GARMasterData/GMbody/GMgroup/GMitem/fashionProd/garmentCode/garmentCodeB/@numberingOrg) [Optional]

(XPath GARMasterData/GMheader/refDoc/season/@numberingOrg) [Optional]

(XPath GARMasterData/GMbody/GMgroup/GMitem/fashionProd/garmentCode/@numberingOrg) [Optional]

(XPath GARMasterData/GMbody/GMgroup/GMitem/fashionProd/acsCode/pattern/@numberingOrg) [Optional]

- nota: *this attribute should be used either single or coupled with "listName" and "listVersion"*

(XPath GARMasterData/GMbody/GMgroup/GMitem/garmentCategory/goodsClassification/class/@numberingOrg) [Optional]

(XPath GARMasterData/GMbody/GMgroup/GMitem/garmentCategory/goodsClassification/macroClass/@numberingOrg) [Optional]

(XPath GARMasterData/GMbody/GMgroup/GMitem/fashionProd/acsCode/color/@numberingOrg) [Optional]
- nota: *this attribute should be used either single or coupled with "listName" and "listVersion"*

(XPath GARMasterData/GMbody/GMgroup/GMitem/packages/packageModelCode/@numberingOrg) [Optional]

(XPath GARMasterData/GMbody/GMgroup/GMitem/operationalCode/@numberingOrg) [Optional]

(XPath GARMasterData/GMbody/GMgroup/GMitem/fashionProd/garmentCode/garmentCodeB/garmentVariant/variantType/@numberingOrg) [Optional]
- nota: *this attribute should be used either single or coupled with "listName" and "listVersion"*

(XPath GARMasterData/GMheader/refDoc/attachment/fileName/@numberingOrg) [Optional]

(XPath GARMasterData/GMbody/GMgroup/GMitem/fashionProd/texCode/art/@numberingOrg) [Optional]
- nota: *this attribute should be used either single or coupled with "listName" and "listVersion"*

(XPath GARMasterData/GMbody/GMgroup/refDoc/season/@numberingOrg) [Optional]

(XPath GARMasterData/GMbody/GMgroup/GMitem/fashionProd/csRange/garmentVariant/variantType/@numberingOrg) [Optional]
- nota: *this attribute should be used either single or coupled with "listName" and "listVersion"*

(XPath GARMasterData/GMbody/GMgroup/GMitem/fashionProd/acsCode/@numberingOrg) [Optional]

(XPath GARMasterData/GMbody/GMgroup/refDoc/docID/@numberingOrg) [Optional]
- nota: *here can be specified whose document numbering is used (e.g.: Client, Supplier, ..)*

(XPath GARMasterData/GMbody/GMgroup/GMitem/fashionProd/csRange/garmentVariant/variantCode/@numberingOrg) [Optional]
- nota: *this attribute should be used either single or coupled with "listName" and "listVersion"*

(XPath GARMasterData/GMheader/season/@numberingOrg) [Optional]

(XPath GARMasterData/packages/packageN/@numberingOrg) [Optional]

(XPath GARMasterData/GMbody/GMgroup/GMitem/fashionProd/garmentPartCode/fabric/@numberingOrg) [Optional]
- nota: *this attribute should be used either single or coupled with "listName" and "listVersion"*

(XPath GARMasterData/GMbody/GMgroup/GMitem/fashionProd/garmentCode/garmentCodeB/artGroup/@numberingOrg) [Optional]
- nota: *this attribute should be used either single or coupled with "listName" and "listVersion"*

(XPath GARMasterData/GMbody/GMgroup/GMitem/fashionProd/texCode/@numberingOrg) [Optional]

(XPath GARMasterData/GMbody/GMgroup/GMitem/fashionProd/garmentPartCode/color/@numberingOrg) [Optional]
- nota: *this attribute should be used either single or coupled with "listName" and "listVersion"*

(XPath GARMasterData/GMbody/GMgroup/packages/packageN/@numberingOrg) [Optional]

(XPath GARMasterData/GMbody/GMgroup/GMitem/fashionProd/csRange/@numberingOrg) [Optional]

(XPath GARMasterData/GMbody/GMgroup/packages/EPClist/EPC/@numberingOrg) [Optional]

(XPath GARMasterData/GMbody/GMgroup/artGroup/@numberingOrg) [Optional]
- nota: *this attribute should be used either single or coupled with "listName" and "listVersion"*

(XPath GARMasterData/GMbody/GMgroup/GMitem/fashionProd/texCode/color/@numberingOrg) [Optional]
- nota: *this attribute should be used either single or coupled with "listName" and "listVersion"*

	<p>(XPath GARMasterData/GMbody/GMgroup/packages/handlingChar/note/@numberingOrg) [Optional]</p> <p>(XPath GARMasterData/GMbody/GMgroup/GMitem/fashionProd/texCode/pattern/@numberingOrg) [Optional]</p> <p>- nota: <i>this attribute should be used either single or coupled with "listName" and "listVersion"</i></p> <p>(XPath GARMasterData/GMbody/GMgroup/note/@numberingOrg) [Optional]</p> <p>(XPath GARMasterData/GMbody/GMgroup/GMitem/fashionProd/garmentCode/garmentCodeA/art/@numberingOrg) [Optional]</p> <p>- nota: <i>this attribute should be used either single or coupled with "listName" and "listVersion"</i></p> <p>(XPath GARMasterData/packages/EPCList/EPC/@numberingOrg) [Optional]</p> <p>(XPath GARMasterData/GMbody/GMgroup/GMitem/fashionProd/csRange/color/@numberingOrg) [Optional]</p> <p>- nota: <i>this attribute should be used either single or coupled with "listName" and "listVersion"</i></p> <p>(XPath GARMasterData/GMbody/GMgroup/refDoc/attachment/fileName/@numberingOrg) [Optional]</p> <p>(XPath GARMasterData/GMbody/GMgroup/GMitem/dtScheme/note/@numberingOrg) [Optional]</p> <p>(XPath GARMasterData/GMbody/GMgroup/GMitem/fashionProd/csRange/sizeMatrix/sizeRow/itemsList/itemIdentification/serialN/@numberingOrg) [Optional]</p> <p>- nota: <i>here the issuer of the serial number must be specified (when different from the Supplier)</i></p> <p>(XPath GARMasterData/GMbody/GMgroup/GMitem/fashionProd/yarnCode/@numberingOrg) [Optional] [Default= CL]</p> <p>(XPath GARMasterData/GMbody/GMgroup/GMitem/note/@numberingOrg) [Optional]</p> <p>(XPath GARMasterData/GMbody/GMgroup/GMitem/fashionProd/csRange/sizeMatrix/sizeRow/itemsList/qualityLevel/@numberingOrg) [Optional]</p> <p>(XPath GARMasterData/GMbody/GMgroup/GMitem/fashionProd/yarnCode/art/@numberingOrg) [Optional]</p> <p>- nota: <i>this attribute should be used either single or coupled with "listName" and "listVersion"</i></p> <p>(XPath GARMasterData/GMbody/GMgroup/GMitem/refDoc/docID/@numberingOrg) [Optional]</p> <p>- nota: <i>here can be specified whose document numbering is used (e.g.: Client, Supplier, ..)</i></p> <p>(XPath GARMasterData/GMbody/GMgroup/GMitem/packages/EPCList/EPC/@numberingOrg) [Optional]</p> <p>(XPath GARMasterData/GMbody/GMgroup/GMitem/refDoc/season/@numberingOrg) [Optional]</p> <p>(XPath GARMasterData/GMbody/GMgroup/GMitem/fashionProd/note/@numberingOrg) [Optional]</p> <p>(XPath GARMasterData/GMbody/GMgroup/GMitem/fashionProd/texCode/added/@numberingOrg) [Optional]</p> <p>(XPath GARMasterData/GMbody/GMgroup/GMitem/fashionProd/garmentCode/garmentCodeB/garmentVariant/variantCode/@numberingOrg) [Optional]</p> <p>- nota: <i>this attribute should be used either single or coupled with "listName" and "listVersion"</i></p> <p>(XPath GARMasterData/GMbody/GMgroup/packages/packageModelCode/@numberingOrg) [Optional]</p> <p>(XPath GARMasterData/GMbody/GMgroup/GMitem/fashionProd/acsCode/art/@numberingOrg) [Optional]</p> <p>- nota: <i>this attribute should be used either single or coupled with "listName" and "listVersion"</i></p> <p>(XPath GARMasterData/GMbody/GMgroup/GMitem/fashionProd/garmentCode/garmentCodeB/added/@numberingOrg) [Optional]</p> <p>(XPath GARMasterData/GMbody/GMgroup/GMitem/fashionProd/garmentPartCode/added/@numberingOrg) [Optional]</p>
--	---

	<p>(XPath GARMasterData/GMbody/GMgroup/GMitem/fashionProd/csRange/sizeMatrix/sizeRow/additionalComponentCode/@numberingOrg) [Optional]</p> <p>(XPath GARMasterData/GMbody/GMgroup/GMitem/fashionProd/yarnCode/added/@numberingOrg) [Optional]</p> <p>(XPath GARMasterData/GMheader/receiverParty/id/@numberingOrg) [Optional]</p> <p>(XPath GARMasterData/GMheader/thirdParty/id/@numberingOrg) [Optional]</p> <p>(XPath GARMasterData/GMbody/GMgroup/GMitem/fashionProd/yarnCode/color/@numberingOrg) [Optional]</p> <p>- nota: <i>this attribute should be used either single or coupled with "listName" and "listVersion"</i></p>
operationalCode	<p>operational code: it is the code of a project, an event, an initiative, a sales channel, a management type (eg CITES), ... the document, or product, is connected with.</p> <p>- base type: string, (XPath GARMasterData/GMbody/GMgroup/GMitem/operationalCode) 0-9</p>
package	<p>code specifying the type of transport package</p> <p>- base type: string, cod. table: T11 http://www.ebiz.enea.it/moda-ml/repository/codelist/draft/gc_T11.xml</p> <p>(XPath GARMasterData/packages/package) 1-1 (XPath GARMasterData/GMbody/GMgroup/packages/package) 1-1 (XPath GARMasterData/GMbody/GMgroup/GMitem/packages/package) 1-1</p>
@packageContainerN	<p>reference usable to indicate the outer package containing this package</p> <p>- base type: string, max length: 40, (XPath GARMasterData/packages/packageN/@packageContainerN) [Optional] (XPath GARMasterData/GMbody/GMgroup/GMitem/packages/packageN/@packageContainerN) [Optional] (XPath GARMasterData/GMbody/GMgroup/packages/packageN/@packageContainerN) [Optional]</p>
@packageLevel	<p>level used to indicate the hierarchical structure of the packages (from outer to inner levels)</p> <p>- base type: positiveInteger, min inclusive: 1, max inclusive: 9, (XPath GARMasterData/GMbody/GMgroup/packages/@packageLevel) [Optional]</p> <p>- nota: <i>number fixing the level of the package in the transport structure (from inner to outer). Must either be used for all package types or not be used</i> (XPath GARMasterData/packages/@packageLevel) [Optional]</p> <p>- nota: <i>number fixing the level of the package in the transport structure (from inner to outer). Must either be used for all package types or not be used</i> (XPath GARMasterData/GMbody/GMgroup/GMitem/packages/@packageLevel) [Optional]</p> <p>- nota: <i>number fixing the level of the package in the transport structure (from inner to outer). Must either be used for all package types or not be used</i></p>
packageModelCode	<p>a code (eg a barcode) identifying the type of packaging</p> <p>- base type: string, (XPath GARMasterData/GMbody/GMgroup/GMitem/packages/packageModelCode) 0-1 (XPath GARMasterData/packages/packageModelCode) 0-1 (XPath GARMasterData/GMbody/GMgroup/packages/packageModelCode) 0-1</p>
packageN	<p>serial number used to identify a transport package</p> <p>- base type: string, max length: 40, (XPath GARMasterData/GMbody/GMgroup/GMitem/packages/packageN) 0-unbounded</p> <p>- note: <i>here the serial no.s of the packages can be identified</i> (XPath GARMasterData/packages/packageN) 0-unbounded</p> <p>- note: <i>here the serial no.s of the packages can be identified</i> (XPath GARMasterData/GMbody/GMgroup/packages/packageN) 0-unbounded</p> <p>- note: <i>here the serial no.s of the packages can be identified</i></p>
packageQty	<p>quantity of the specified transport packages</p> <p>- base type: positiveInteger,</p>

	<p>(XPath GARMasterData/packages/packageQty) 0-1 - note: <i>total for the type of package</i> (XPath GARMasterData/GMbody/GMgroup/GMitem/packages/packageQty) 0-1 - note: <i>total for the type of package</i> (XPath GARMasterData/GMbody/GMgroup/packages/packageQty) 0-1 - note: <i>total for the type of package</i></p>
packageText	<p>denomination of the type of transport package (text) - base type: string, max length: 80, (XPath GARMasterData/packages/packageText) 1-1 (XPath GARMasterData/GMbody/GMgroup/GMitem/packages/packageText) 1-1 (XPath GARMasterData/GMbody/GMgroup/packages/packageText) 1-1</p>
pattern	<p>pattern/design number of the product, when not included in the article code - base type: string, max length: 15, (XPath GARMasterData/GMbody/GMgroup/GMitem/fashionProd/ texCode/pattern) 0-1 (XPath GARMasterData/GMbody/GMgroup/GMitem/fashionProd/ acsCode/pattern) 0-1</p>
percCompos	<p>fiber rate in the product composition - base type: decimal, min inclusive: 0, max inclusive: 100, fraction digits: 2, (XPath GARMasterData/GMbody/GMgroup/GMitem/composition/ garmentCompos/percCompos) 1-99</p>
person	<p>name of the contact person within a Party - base type: string, max length: 40, (XPath GARMasterData/GMheader/senderParty/person) 0-1 (XPath GARMasterData/GMheader/thirdParty/person) 0-1 (XPath GARMasterData/GMheader/receiverParty/person) 0-1 (XPath GARMasterData/GMbody/GMgroup/GMitem/thirdParty/person) 0-1</p>
@phone	<p>phone number of the contact person within a Party - base type: string, max length: 35, (XPath GARMasterData/GMheader/senderParty/person/@phone) [Optional] (XPath GARMasterData/GMheader/thirdParty/person/@phone) [Optional] (XPath GARMasterData/GMheader/receiverParty/person/@phone) [Optional] (XPath GARMasterData/GMbody/GMgroup/GMitem/thirdParty/ person/@phone) [Optional]</p>
pieceInnWrap1	<p>code specifying the type of inner wrapping/packing used for the fabric piece - base type: string, cod. table: T4 http://www.ebiz.enea.it/moda-ml/repository/codelist/draft/gc_T4.xml (XPath GARMasterData/GMbody/GMgroup/GMitem/packages/ handlingChar/piecePack/pieceInnWrap1) 1-1 (XPath GARMasterData/packages/handlingChar/piecePack/pieceInnWrap1) 1-1 (XPath GARMasterData/GMbody/GMgroup/GMitem/handlingChar/ piecePack/pieceInnWrap1) 1-1 (XPath GARMasterData/GMbody/GMgroup/packages/handlingChar/ piecePack/pieceInnWrap1) 1-1</p>
pieceInnWrap2	<p>code sub-specifying the type of inner wrapping/packing used for the fabric piece - base type: string, cod. table: T5 http://www.ebiz.enea.it/moda-ml/repository/codelist/draft/gc_T5.xml (XPath GARMasterData/packages/handlingChar/piecePack/pieceInnWrap2) 0-1 (XPath GARMasterData/GMbody/GMgroup/packages/handlingChar/ piecePack/pieceInnWrap2) 0-1 (XPath GARMasterData/GMbody/GMgroup/GMitem/packages/ handlingChar/piecePack/pieceInnWrap2) 0-1 (XPath GARMasterData/GMbody/GMgroup/GMitem/handlingChar/ piecePack/pieceInnWrap2) 0-1</p>
pieceOutWrap	<p>code specifying the type of outer wrapping or packing used for the fabric piece - base type: string, cod. table: T6 http://www.ebiz.enea.it/moda-ml/repository/codelist/draft/gc_T6.xml (XPath GARMasterData/packages/handlingChar/piecePack/pieceOutWrap) 0-1</p>

	<p>(XPath GARMasterData/GMbody/GMgroup/GMitem/handlingChar/piecePack/pieceOutWrap) 0-1</p> <p>(XPath GARMasterData/GMbody/GMgroup/packages/handlingChar/piecePack/pieceOutWrap) 0-1</p> <p>(XPath GARMasterData/GMbody/GMgroup/GMitem/packages/handlingChar/piecePack/pieceOutWrap) 0-1</p>
piecePackText	<p>free text specifying the type of wrapping or packing used for the fabric piece</p> <p>- base type: string, max length: 250,</p> <p>(XPath GARMasterData/GMbody/GMgroup/GMitem/handlingChar/piecePack/piecePackText) 1-1</p> <p>(XPath GARMasterData/GMbody/GMgroup/GMitem/packages/handlingChar/piecePack/piecePackText) 1-1</p> <p>(XPath GARMasterData/GMbody/GMgroup/packages/handlingChar/piecePack/piecePackText) 1-1</p> <p>(XPath GARMasterData/packages/handlingChar/piecePack/piecePackText) 1-1</p>
postCode	<p>code defining the postal zone</p> <p>- base type: string, max length: 10,</p> <p>(XPath GARMasterData/GMheader/senderParty/postCode) 0-1</p> <p>(XPath GARMasterData/GMbody/GMgroup/GMitem/thirdParty/postCode) 0-1</p> <p>(XPath GARMasterData/GMheader/thirdParty/postCode) 0-1</p> <p>(XPath GARMasterData/GMheader/receiverParty/postCode) 0-1</p>
productLine	<p>the product line name of a fashion product.</p> <p>- base type: string,</p> <p>(XPath GARMasterData/GMbody/GMgroup/GMitem/productLine) 0-1</p>
@progr	<p>progressive number in the sequence</p> <p>- base type: positiveInteger, min inclusive: 1,</p> <p>(XPath GARMasterData/packages/fillingCriterion/@progr) [Optional]</p> <p>(XPath GARMasterData/GMbody/GMgroup/GMitem/packages/fillingCriterion/@progr) [Optional]</p> <p>(XPath GARMasterData/GMbody/GMgroup/packages/fillingCriterion/@progr) [Optional]</p>
qty	<p>net quantity of the article or object correlated, qualified by the function of the document (ordering, delivering, ..) and by the context</p> <p>- base type: decimal, min inclusive: 0, fraction digits: 2,</p> <p>(XPath GARMasterData/GMbody/GMgroup/GMitem/fashionProduct/sizeRange/sizeMatrix/sizeRow/qty) 0-1</p>
qualityLevel	<p>the product quality level (first choice, second choice,...).</p> <p>- base type: string,</p> <p>(XPath GARMasterData/GMbody/GMgroup/GMitem/fashionProduct/sizeRange/sizeMatrix/sizeRow/itemsList/qualityLevel) 0-1</p>
@reelMat	<p>type of material of which a package for yarn is made</p> <p>- base type: string, cod. table: T30</p> <p>http://www.ebiz.enea.it/moda-ml/repository/codelist/draft/gc_T30.xml</p> <p>(XPath GARMasterData/GMbody/GMgroup/GMitem/packages/handlingChar/yarnPack/yarnReel/@reelMat) [Optional]</p> <p>(XPath GARMasterData/GMbody/GMgroup/packages/handlingChar/yarnPack/yarnReel/@reelMat) [Optional]</p> <p>(XPath GARMasterData/GMbody/GMgroup/GMitem/handlingChar/yarnPack/yarnReel/@reelMat) [Optional]</p> <p>(XPath GARMasterData/packages/handlingChar/yarnPack/yarnReel/@reelMat) [Optional]</p>
@reelType	<p>type of package used for a yarn product</p> <p>- base type: string, cod. table: T29</p> <p>http://www.ebiz.enea.it/moda-ml/repository/codelist/draft/gc_T29.xml</p> <p>(XPath GARMasterData/GMbody/GMgroup/packages/handlingChar/yarnPack/yarnReel/@reelType) [Required]</p> <p>(XPath GARMasterData/GMbody/GMgroup/GMitem/handlingChar/yarnPack/yarnReel/@reelType) [Required]</p>

	<p>(XPath GARMasterData/GMbody/GMgroup/GMitem/packages/handlingChar/yarnPack/yarnReel/@reelType) [Required]</p> <p>(XPath GARMasterData/packages/handlingChar/yarnPack/yarnReel/@reelType) [Required]</p>
@role	<p>Third Party role qualifier</p> <p>- base type: string, cod. table: NT2</p> <p>http://www.ebiz.enea.it/moda-ml/repository/codelist/draft/gc_NT2.xml</p> <p>(XPath GARMasterData/GMheader/thirdParty/@role) [Required]</p> <p>(XPath GARMasterData/GMbody/GMgroup/GMitem/thirdParty/@role) [Required]</p>
season	<p>sale season; defined as: season (1 crt) + year (4 crt) - season: S/S=1 A/W=2 Spring=3 Summer=4 Autumn=5 Winter=6: for more than four seasons use alphabetic sequence: 1st season=A 2nd season=B etc.etc.</p> <p>- base type: string, max length: 15,</p> <p>(XPath GARMasterData/GMheader/refDoc/season) 0-1</p> <p>- note: <i>here indicates the season to which the referenced document belongs</i></p> <p>(XPath GARMasterData/GMbody/GMgroup/GMitem/refDoc/season) 0-1</p> <p>- note: <i>here indicates the season to which the referenced document belongs</i></p> <p>(XPath GARMasterData/GMbody/GMgroup/GMitem/garmentCategory/season) 0-1</p> <p>(XPath GARMasterData/GMheader/season) 0-1</p> <p>(XPath GARMasterData/GMbody/GMgroup/refDoc/season) 0-1</p> <p>- note: <i>here indicates the season to which the referenced document belongs</i></p>
@sender	<p>qualifier that specifies the Party issuing of the document</p> <p>- base type: boolean,</p> <p>(XPath GARMasterData/GMheader/senderParty/@sender) [Optional]</p> <p>- nota: <i>This attribute is mandatory when the STYLESHEET must be used.</i></p> <p>(XPath GARMasterData/GMheader/receiverParty/@sender) [Optional]</p> <p>- nota: <i>This attribute is mandatory when the STYLESHEET must be used.</i></p> <p>(XPath GARMasterData/GMbody/GMgroup/GMitem/thirdParty/@sender) [Optional]</p> <p>- nota: <i>This attribute is mandatory when the STYLESHEET must be used</i></p> <p>(XPath GARMasterData/GMheader/thirdParty/@sender) [Optional]</p> <p>- nota: <i>This attribute is mandatory when the STYLESHEET must be used</i></p>
serialN	<p>serial number used for the identification of a physical unit</p> <p>- base type: string, max length: 250,</p> <p>(XPath GARMasterData/GMbody/GMgroup/GMitem/fashionProd/csRange/sizeMatrix/sizeRow/itemsList/itemIdentification/serialN) 1-9</p> <hr/> <p>AAAA-WARNING! - text not AVAILABLE n. 245 - In=en</p> <p>- note: <i>multiple values of serialN are allowed for different representations of the serial identifier of the same product unit. Instances of serialN must differ at least for one value of numberingOrg and idQualifier.</i></p>
size	<p>size number of a fashion product (knitwear, clothing, ..)</p> <p>- base type: string, max length: 15,</p> <p>(XPath GARMasterData/GMbody/GMgroup/GMitem/fashionProd/garmentCode/garmentCodeB/size) 0-1</p> <p>(XPath GARMasterData/GMbody/GMgroup/GMitem/fashionProd/csRange/sizeMatrix/sizeRow/size) 1-1</p> <p>(XPath GARMasterData/GMbody/GMgroup/GMitem/fashionProd/garmentPartCode/size) 0-1</p>
@sizeSystemBase	<p>base of the size system</p> <p>- base type: string, cod. table: T423</p> <p>http://www.ebiz.enea.it/moda-ml/repository/codelist/draft/gc_T423.xml</p> <p>(XPath GARMasterData/GMbody/GMgroup/GMitem/fashionProd/csRange/@sizeSystemBase) [Optional]</p>
@sizeSystemID	<p>the identifier of the size system.</p> <p>- base type: string,</p> <p>(XPath GARMasterData/GMbody/GMgroup/GMitem/fashionProd/csRange/@sizeSystemID) [Optional]</p>

@sizeSystemNat	nation or agency identifying the size system - base type: string, cod. table: T421 http://www.ebiz.enea.it/moda-ml/repository/codelist/draft/gc_T421.xml (XPath GARMasterData/GMbody/GMgroup/GMitem/fashionProd/csRange/@sizeSystemNat) [Optional]
@sizeSystemSeg	market segment identifying the size system - base type: string, cod. table: T422 http://www.ebiz.enea.it/moda-ml/repository/codelist/draft/gc_T422.xml (XPath GARMasterData/GMbody/GMgroup/GMitem/fashionProd/csRange/@sizeSystemSeg) [Optional]
sortableIndicator	It states if the item can be automatically sorted. - base type: boolean, (XPath GARMasterData/packages/handlingChar/sortableIndicator) 0-1 (XPath GARMasterData/GMbody/GMgroup/GMitem/packages/handlingChar/sortableIndicator) 0-1 (XPath GARMasterData/GMbody/GMgroup/GMitem/handlingChar/sortableIndicator) 0-1 (XPath GARMasterData/GMbody/GMgroup/packages/handlingChar/sortableIndicator) 0-1
stackabilityLevel	This value indicates the level at which the item can be stacked. - base type: integer, (XPath GARMasterData/GMbody/GMgroup/packages/handlingChar/stackabilityLevel) 0-1 (XPath GARMasterData/GMbody/GMgroup/GMitem/handlingChar/stackabilityLevel) 0-1 (XPath GARMasterData/GMbody/GMgroup/GMitem/packages/handlingChar/stackabilityLevel) 0-1 (XPath GARMasterData/packages/handlingChar/stackabilityLevel) 0-1
street	street and building number identifying a location - base type: string, max length: 80, (XPath GARMasterData/GMbody/GMgroup/GMitem/thirdParty/street) 0-1 (XPath GARMasterData/GMheader/receiverParty/street) 0-1 (XPath GARMasterData/GMheader/thirdParty/street) 0-1 (XPath GARMasterData/GMheader/senderParty/street) 0-1
subClass	a code indicating the category (macro-class, class or sub-class) of a commodity classification system the article belongs to. - base type: string, (XPath GARMasterData/GMbody/GMgroup/GMitem/garmentCategory/goodsClassification/subClass) 0-1
subCountry	short name or code of the sub-country entity - base type: string, max length: 9, (XPath GARMasterData/GMheader/senderParty/subCountry) 0-1 (XPath GARMasterData/GMheader/receiverParty/subCountry) 0-1 (XPath GARMasterData/GMheader/thirdParty/subCountry) 0-1 (XPath GARMasterData/GMbody/GMgroup/GMitem/thirdParty/subCountry) 0-1
subDept	name or code of a contact department within a Party - base type: string, max length: 40, (XPath GARMasterData/GMheader/thirdParty/subDept) 0-1 (XPath GARMasterData/GMbody/GMgroup/GMitem/thirdParty/subDept) 0-1 (XPath GARMasterData/GMheader/senderParty/subDept) 0-1 (XPath GARMasterData/GMheader/receiverParty/subDept) 0-1
taxCategory	duty or tax or fee category - base type: string, cod. table: T62 http://www.ebiz.enea.it/moda-ml/repository/codelist/draft/gc_T62.xml (XPath GARMasterData/GMbody/GMgroup/GMitem/dtScheme/taxCategory) 0-1
taxRate	duty or tax or fee percent rate - base type: string, (XPath GARMasterData/GMbody/GMgroup/GMitem/dtScheme/taxRate) 0-1

@taxType	<p>duty or tax or fee type</p> <p>- base type: string, cod. table: T61</p> <p>http://www.ebiz.enea.it/moda-ml/repository/codelist/draft/gc_T61.xml</p> <p>(XPath GARMasterData/GMbody/GMgroup/GMitem/dtScheme/@taxType) [Required]</p>
@TID	<p>serial number wired into the RFID chip</p> <p>- base type: string,</p> <p>(XPath GARMasterData/GMbody/GMgroup/GMitem/packages/EPCList/EPC/@TID) [Optional]</p> <p>(XPath GARMasterData/packages/EPCList/EPC/@TID) [Optional]</p> <p>(XPath GARMasterData/GMbody/GMgroup/packages/EPCList/EPC/@TID) [Optional]</p>
@uid	<p>unique element identifier within the xml document</p> <p>- base type: string,</p> <p>(XPath GARMasterData/GMbody/GMgroup/GMitem/refDoc/attachment/@uid) [Optional]</p> <p>(XPath GARMasterData/GMheader/refDoc/attachment/@uid) [Optional]</p> <p>(XPath GARMasterData/GMbody/GMgroup/refDoc/attachment/@uid) [Optional]</p>
@um	<p>specification of the unit of measure</p> <p>- base type: string, cod. table: NT7</p> <p>http://www.ebiz.enea.it/moda-ml/repository/codelist/draft/gc_NT7.xml</p> <p>(XPath GARMasterData/GMbody/GMgroup/GMitem/handlingChar/grossWeight/@um) [Required]</p> <p>(XPath GARMasterData/GMbody/GMgroup/packages/packageDim/length/@um) [Required]</p> <p>(XPath GARMasterData/GMbody/GMgroup/packages/packageDim/width/@um) [Required]</p> <p>(XPath GARMasterData/GMbody/GMgroup/packages/handlingChar/netWeight/@um) [Required]</p> <p>(XPath GARMasterData/GMbody/GMgroup/packages/handlingChar/grossWeight/@um) [Required]</p> <p>(XPath GARMasterData/packages/handlingChar/yarnPack/yarnReel/yarnReelID/@um) [Required]</p> <p>(XPath GARMasterData/GMbody/GMgroup/GMitem/packages/packageDim/height/@um) [Required]</p> <p>(XPath GARMasterData/GMbody/GMgroup/GMitem/packages/handlingChar/grossWeight/@um) [Required]</p> <p>(XPath GARMasterData/packages/handlingChar/volume/@um) [Required]</p> <p>(XPath GARMasterData/GMbody/GMgroup/packages/handlingChar/yarnPack/yarnReel/yarnReelQty/@um) [Required]</p> <p>(XPath GARMasterData/GMbody/GMgroup/GMitem/productDim/height/@um) [Required]</p> <p>(XPath GARMasterData/GMbody/GMgroup/packages/handlingChar/volume/@um) [Required]</p> <p>(XPath GARMasterData/GMbody/GMgroup/GMitem/packages/packageDim/length/@um) [Required]</p> <p>(XPath GARMasterData/packages/handlingChar/yarnPack/yarnReel/yarnReelH/@um) [Required]</p> <p>(XPath GARMasterData/GMbody/GMgroup/packages/packageDim/height/@um) [Required]</p> <p>(XPath GARMasterData/GMbody/GMgroup/GMitem/productDim/width/@um) [Required]</p> <p>(XPath GARMasterData/GMbody/GMgroup/GMitem/packages/packageDim/width/@um) [Required]</p> <p>(XPath GARMasterData/GMbody/GMgroup/GMitem/productDim/length/@um) [Required]</p> <p>(XPath GARMasterData/GMbody/GMgroup/packages/handlingChar/yarnPack/yarnReel/yarnReelID/@um) [Required]</p> <p>(XPath GARMasterData/GMbody/GMgroup/packages/handlingChar/yarnPack/yarnReel/yarnReelH/@um) [Required]</p> <p>(XPath GARMasterData/GMbody/GMgroup/GMitem/handlingChar/yarnPack/yarnReel/yarnReelID/@um) [Required]</p> <p>(XPath GARMasterData/GMbody/GMgroup/GMitem/packages/handlingChar/netWeight/@um) [Required]</p> <p>(XPath GARMasterData/packages/packageDim/height/@um) [Required]</p>

	<p>(XPath GARMasterData/GMbody/GMgroup/packages/minItemsPerPackage/@um) [Required]</p> <p>(XPath GARMasterData/GMbody/GMgroup/GMitem/handlingChar/volume/@um) [Required]</p> <p>(XPath GARMasterData/GMbody/GMgroup/packages/itemsPerPackage/@um) [Required]</p> <p>(XPath GARMasterData/packages/itemsPerPackage/@um) [Required]</p> <p>(XPath GARMasterData/GMbody/GMgroup/GMitem/packages/minItemsPerPackage/@um) [Required]</p> <p>(XPath GARMasterData/packages/packageDim/width/@um) [Required]</p> <p>(XPath GARMasterData/GMbody/GMgroup/GMitem/handlingChar/yarnPack/yarnReel/yarnReelQty/@um) [Required]</p> <p>(XPath GARMasterData/GMbody/GMgroup/GMitem/packages/handlingChar/volume/@um) [Required]</p> <p>(XPath GARMasterData/packages/handlingChar/grossWeight/@um) [Required]</p> <p>(XPath GARMasterData/GMbody/GMgroup/GMitem/handlingChar/netWeight/@um) [Required]</p> <p>(XPath GARMasterData/GMbody/GMgroup/GMitem/packages/handlingChar/yarnPack/yarnReel/yarnReelID/@um) [Required]</p> <p>(XPath GARMasterData/GMbody/GMgroup/GMitem/packages/itemsPerPackage/@um) [Required]</p> <p>(XPath GARMasterData/packages/handlingChar/netWeight/@um) [Required]</p> <p>(XPath GARMasterData/GMbody/GMgroup/GMitem/fashionProd/csRange/sizeMatrix/sizeRow/qty/@um) [Required]</p> <p>(XPath GARMasterData/packages/packageDim/length/@um) [Required]</p> <p>(XPath GARMasterData/GMbody/GMgroup/GMitem/packages/handlingChar/yarnPack/yarnReel/yarnReelQty/@um) [Required]</p> <p>(XPath GARMasterData/GMbody/GMgroup/GMitem/handlingChar/yarnPack/yarnReel/yarnReelH/@um) [Required]</p> <p>(XPath GARMasterData/GMbody/GMgroup/GMitem/packages/handlingChar/yarnPack/yarnReel/yarnReelH/@um) [Required]</p> <p>(XPath GARMasterData/packages/handlingChar/yarnPack/yarnReel/yarnReelQty/@um) [Required]</p> <p>(XPath GARMasterData/packages/minItemsPerPackage/@um) [Required]</p>
unitOfMeasure	<p>unit of measure.</p> <p>- base type: string, cod. table: NT7</p> <p>http://www.ebiz.enea.it/moda-ml/repository/codelist/draft/gc_NT7.xml</p> <p>(XPath GARMasterData/GMbody/GMgroup/GMitem/unitOfMeasure) 0-99</p> <p>- note: <i>Unit of measurement in which the article is expressed. It is possible to indicate more than one distinguishing them with the measureQualifier attribute</i></p>
unitOfSourceMeasure	<p>unit of measure.</p> <p>- base type: string, cod. table: NT7</p> <p>http://www.ebiz.enea.it/moda-ml/repository/codelist/draft/gc_NT7.xml</p> <p>(XPath GARMasterData/GMbody/GMgroup/GMitem/measureConversion/unitOfSourceMeasure) 1-1</p>
unitOfTargetMeasure	<p>unit of measure.</p> <p>- base type: string, cod. table: NT7</p> <p>http://www.ebiz.enea.it/moda-ml/repository/codelist/draft/gc_NT7.xml</p> <p>(XPath GARMasterData/GMbody/GMgroup/GMitem/measureConversion/unitOfTargetMeasure) 1-1</p>
uri	<p>Uniform Resource Identifier (URI) that identifies the external object as an Internet resource</p> <p>- base type: normalizedString,</p> <p>(XPath GARMasterData/GMbody/GMgroup/refDoc/attachment/externalReference/uri) 1-1</p> <p>(XPath GARMasterData/GMheader/refDoc/attachment/externalReference/uri) 1-1</p> <p>(XPath GARMasterData/GMbody/GMgroup/GMitem/refDoc/attachment/externalReference/uri) 1-1</p>

@useProfile	use profile to which the present document is compliant if it was agreed by the parties. It is suggested a URI with reference to the firm or the URL of the profile. - base type: string, (XPath GARMasterData/@useProfile) [Optional]
validityEnd	date by which the validity ends, according to one of the patterns YYYY-MM-DD, YYYY-MM-DD:HH-MM or YYYY-WW. - base type: string, (XPath GARMasterData/GMheader/validityEnd) 0-1
validityStart	date by which the validity starts, according to one of the patterns YYYY-MM-DD, YYYY-MM-DD:HH-MM or YYYY-WW. - base type: string, (XPath GARMasterData/GMheader/validityStart) 0-1
variantCode	Code of variant used for fashion product. - base type: string, (XPath GARMasterData/GMbody/GMgroup/GMitem/fashionProd/garmentCode/garmentCodeB/garmentVariant/variantCode) 1-1 (XPath GARMasterData/GMbody/GMgroup/GMitem/fashionProd/csRange/garmentVariant/variantCode) 1-1
variantType	Type of variant used for fashion product (examples: 'treatment', 'washing type', 'size class',...) - base type: string, (XPath GARMasterData/GMbody/GMgroup/GMitem/fashionProd/csRange/garmentVariant/variantType) 1-1 (XPath GARMasterData/GMbody/GMgroup/GMitem/fashionProd/garmentCode/garmentCodeB/garmentVariant/variantType) 1-1
@VAT	VAT rate or code (DEPRECATED, use dtScheme element) - base type: string, cod. table: NT16 http://www.ebiz.enea.it/moda-ml/repository/codelist/draft/gc_NT16.xml (XPath GARMasterData/GMheader/thirdParty/@VAT) [Optional] (XPath GARMasterData/GMbody/GMgroup/GMitem/lineN/@VAT) [Optional] - nota: <i>Deprecated, prefer dtScheme when available.</i> (XPath GARMasterData/GMbody/GMgroup/GMitem/thirdParty/@VAT) [Optional]
@version	Dictionary version from which the instance has been created - base type: string, cod. table: NT100 http://www.ebiz.enea.it/moda-ml/repository/codelist/draft/gc_NT100.xml (XPath GARMasterData/@version) [Optional] [Default= draft]
volume	effective volume of a specified object - base type: decimal, min inclusive: 0, fraction digits: 2, (XPath GARMasterData/GMbody/GMgroup/GMitem/handlingChar/volume) 0-1 (XPath GARMasterData/GMbody/GMgroup/packages/handlingChar/volume) 0-1 (XPath GARMasterData/GMbody/GMgroup/GMitem/packages/handlingChar/volume) 0-1 (XPath GARMasterData/packages/handlingChar/volume) 0-1
width	effective width of a specified object - base type: decimal, min inclusive: 0, fraction digits: 2, (XPath GARMasterData/GMbody/GMgroup/packages/packageDim/width) 0-1 (XPath GARMasterData/GMbody/GMgroup/GMitem/packages/packageDim/width) 0-1 (XPath GARMasterData/packages/packageDim/width) 0-1 (XPath GARMasterData/GMbody/GMgroup/GMitem/productDim/width) 0-1
yarnConeAngle	tapering angle of the cone on which a yarn is reeled - base type: positiveInteger, (XPath GARMasterData/packages/handlingChar/yarnPack/yarnReel/yarnConeAngle) 0-1 (XPath GARMasterData/GMbody/GMgroup/GMitem/handlingChar/yarnPack/yarnReel/yarnConeAngle) 0-1

	<p>(XPath GARMasterData/GMbody/GMgroup/packages/handlingChar/yarnPack/yarnReel/yarnConeAngle) 0-1</p> <p>(XPath GARMasterData/GMbody/GMgroup/GMitem/packages/handlingChar/yarnPack/yarnReel/yarnConeAngle) 0-1</p>
yarnOutWrap	<p>code specifying the type of outer wrapping or packing of a yarn</p> <p>- base type: string, cod. table: T33</p> <p>http://www.ebiz.enea.it/moda-ml/repository/codelist/draft/gc_T33.xml</p> <p>(XPath GARMasterData/GMbody/GMgroup/packages/handlingChar/yarnPack/yarnOutWrap) 0-1</p> <p>(XPath GARMasterData/GMbody/GMgroup/GMitem/packages/handlingChar/yarnPack/yarnOutWrap) 0-1</p> <p>(XPath GARMasterData/packages/handlingChar/yarnPack/yarnOutWrap) 0-1</p> <p>(XPath GARMasterData/GMbody/GMgroup/GMitem/handlingChar/yarnPack/yarnOutWrap) 0-1</p>
yarnOutWrapText	<p>free text specifying the type of outer wrapping or packing of a yarn</p> <p>- base type: string, max length: 250,</p> <p>(XPath GARMasterData/GMbody/GMgroup/GMitem/packages/handlingChar/yarnPack/yarnOutWrapText) 0-1</p> <p>(XPath GARMasterData/GMbody/GMgroup/GMitem/handlingChar/yarnPack/yarnOutWrapText) 0-1</p> <p>(XPath GARMasterData/packages/handlingChar/yarnPack/yarnOutWrapText) 0-1</p> <p>(XPath GARMasterData/GMbody/GMgroup/packages/handlingChar/yarnPack/yarnOutWrapText) 0-1</p>
yarnReelD	<p>diameter of the bobbin used for a yarn product</p> <p>- base type: decimal, min inclusive: 0, fraction digits: 2,</p> <p>(XPath GARMasterData/GMbody/GMgroup/GMitem/handlingChar/yarnPack/yarnReel/yarnReelD) 0-1</p> <p>(XPath GARMasterData/GMbody/GMgroup/GMitem/packages/handlingChar/yarnPack/yarnReel/yarnReelD) 0-1</p> <p>(XPath GARMasterData/packages/handlingChar/yarnPack/yarnReel/yarnReelD) 0-1</p> <p>(XPath GARMasterData/GMbody/GMgroup/packages/handlingChar/yarnPack/yarnReel/yarnReelD) 0-1</p>
yarnReelH	<p>height of the bobbin used a yarn product</p> <p>- base type: decimal, min inclusive: 0, fraction digits: 2,</p> <p>(XPath GARMasterData/GMbody/GMgroup/GMitem/packages/handlingChar/yarnPack/yarnReel/yarnReelH) 0-1</p> <p>(XPath GARMasterData/packages/handlingChar/yarnPack/yarnReel/yarnReelH) 0-1</p> <p>(XPath GARMasterData/GMbody/GMgroup/GMitem/handlingChar/yarnPack/yarnReel/yarnReelH) 0-1</p> <p>(XPath GARMasterData/GMbody/GMgroup/packages/handlingChar/yarnPack/yarnReel/yarnReelH) 0-1</p>
yarnReelQty	<p>quantity of yarn (by weight or length) wound upon a bobbin</p> <p>- base type: decimal, min inclusive: 0, fraction digits: 2,</p> <p>(XPath GARMasterData/GMbody/GMgroup/GMitem/handlingChar/yarnPack/yarnReel/yarnReelQty) 0-2</p> <p>(XPath GARMasterData/packages/handlingChar/yarnPack/yarnReel/yarnReelQty) 0-2</p> <p>(XPath GARMasterData/GMbody/GMgroup/GMitem/packages/handlingChar/yarnPack/yarnReel/yarnReelQty) 0-2</p> <p>(XPath GARMasterData/GMbody/GMgroup/packages/handlingChar/yarnPack/yarnReel/yarnReelQty) 0-2</p>
yarnReelWrap	<p>type of wrapping in which a package of yarn is wrapped</p> <p>- base type: string, cod. table: T32</p> <p>http://www.ebiz.enea.it/moda-ml/repository/codelist/draft/gc_T32.xml</p> <p>(XPath GARMasterData/packages/handlingChar/yarnPack/yarnInWrap/yarnReelWrap) 1-1</p> <p>(XPath GARMasterData/GMbody/GMgroup/packages/handlingChar/yarnPack/yarnInWrap/yarnReelWrap) 1-1</p> <p>(XPath GARMasterData/GMbody/GMgroup/GMitem/handlingChar/yarnPack/yarnInWrap/yarnReelWrap) 1-1</p>

	(XPath GARMasterData/GMbody/GMgroup/GMitem/packages/ handlingChar/yarnPack/yarnInWrap/yarnReelWrap) 1-1
--	--

2.3 Suggested best practices

GARMasterData/GMbody/GMgroup/GMitem/fashionProd/

csRange/sizeMatrix/sizeRow/itemsList/itemIdentification/serialN (serial number used for the identification of a physical unit)

in the case of garment with RFID for anti-counterfeiting, RFID EPCGlobal for logistics and NFC for the customer experience there should be three serial elements with pairs of attributes numberingOrg/idQualifier: "CL"/"RFID", "GS1"/"RFID", "CL"/"NFC".

2.4 Enumeration tables

List of enumeration tables used in the XML document. You can find the corresponding codes at:
<http://www.ebiz-tcf.eu/moda-ml/imple/moda-ml-draft.asp?lingua=en&pag=6>

NT100 - eBIZ TCFUpstream version
NT16 - VAT rate or code
NT18 - message function
NT2 - third party qualifier
NT29 - format of a date
NT43 - operational code qualifier
NT51 - Filling Criterion for Package homogeneity
NT6 - coding system owner/issuer
NT7 - unit of measure
T10 - ISO3166 - Country
T11 - transport package type
T19 - fibre type
T21 - type of document
T29 - type of yarn package
T30 - support of yarn package - material
T32 - yarn reel wrapping type
T33 - yarn outer packing
T4 - fabric piece inner packing (wrapping) 1
T421 - size system: nationality
T422 - size system: market segment
T423 - size system: base
T44 - additional code type
T48 - garment part type
T5 - fabric piece inner packing (wrapping) 2
T6 - fabric piece outer packing
T61 - duty or tax or fee type
T62 - duty or tax or fee category

ACKNOWLEDGEMENT



This action is part of the eBIZ-4.0 project, which has received funding from the European Union's COSME Programme (2014 - 2020).

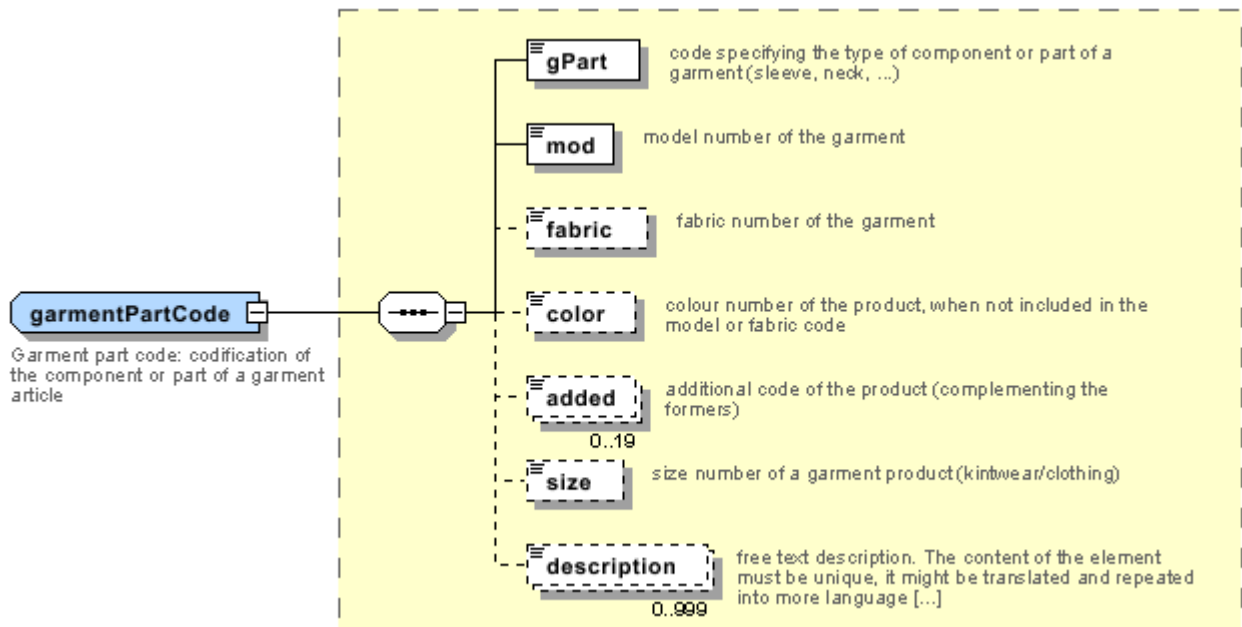
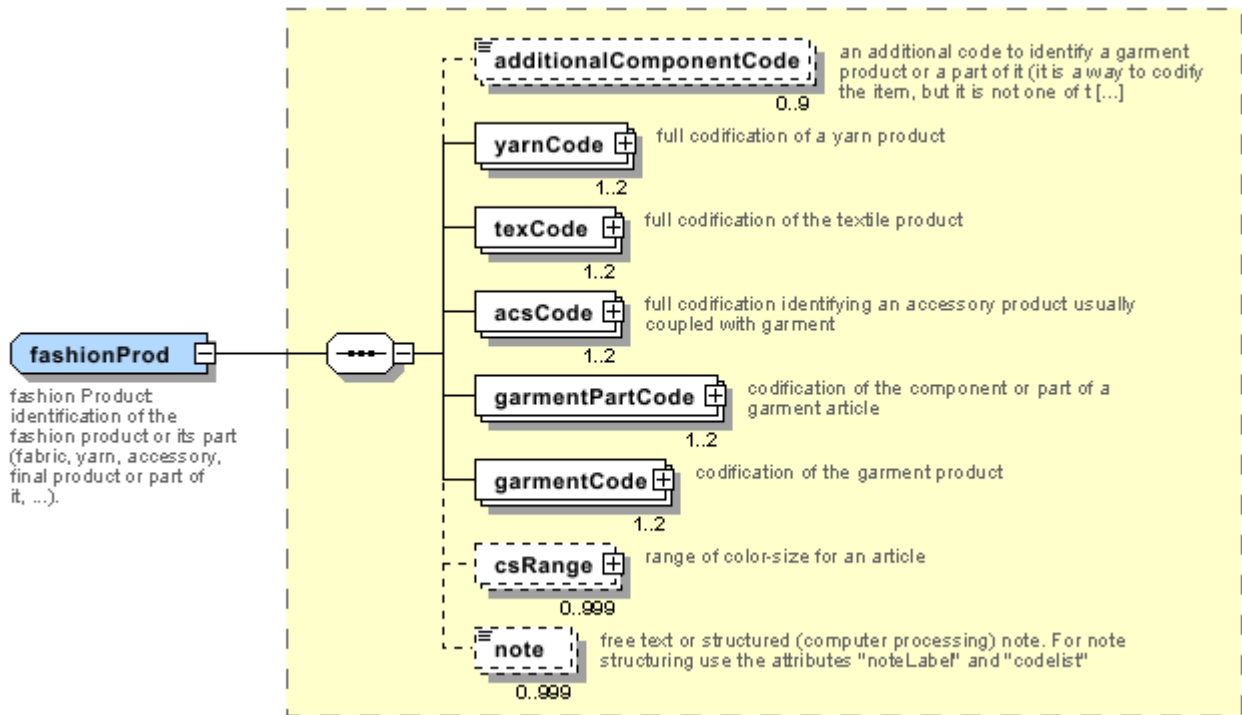
DISCLAIMER

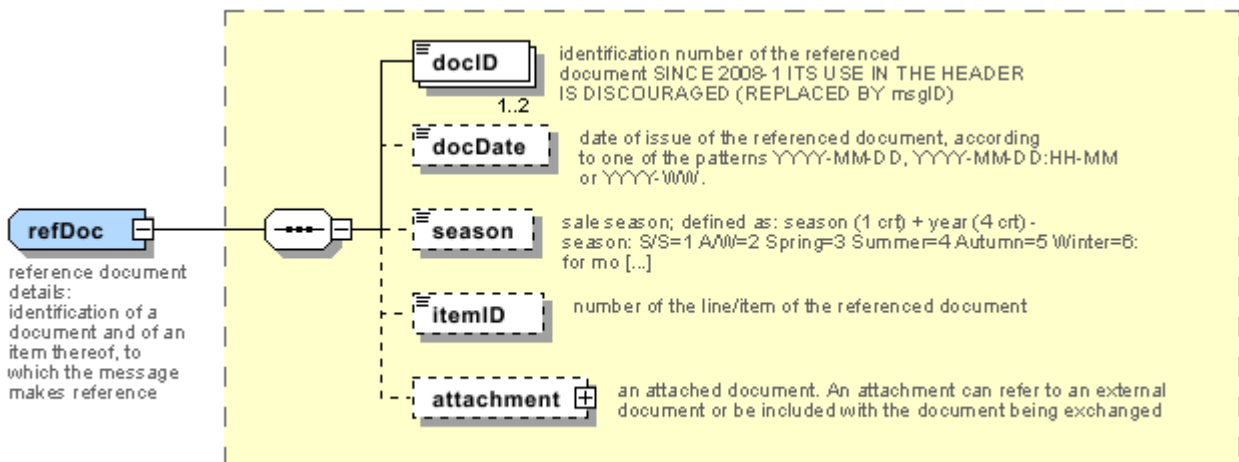
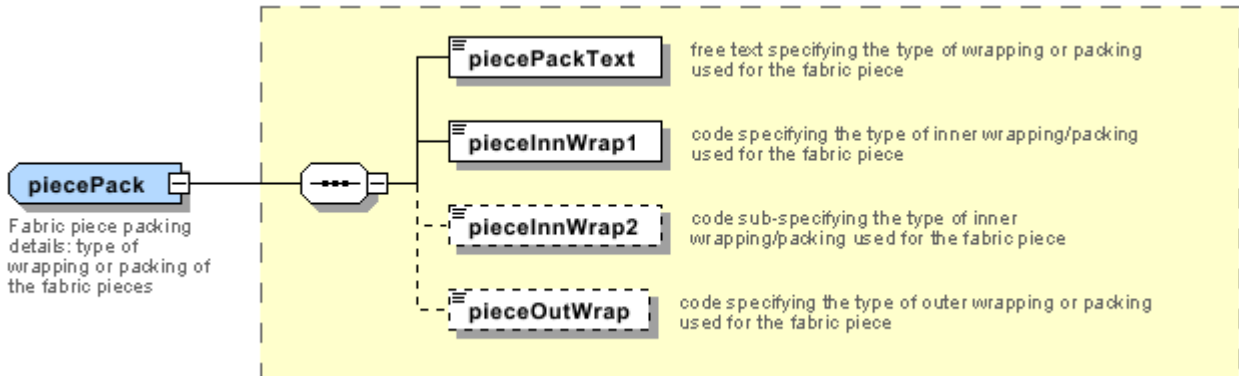
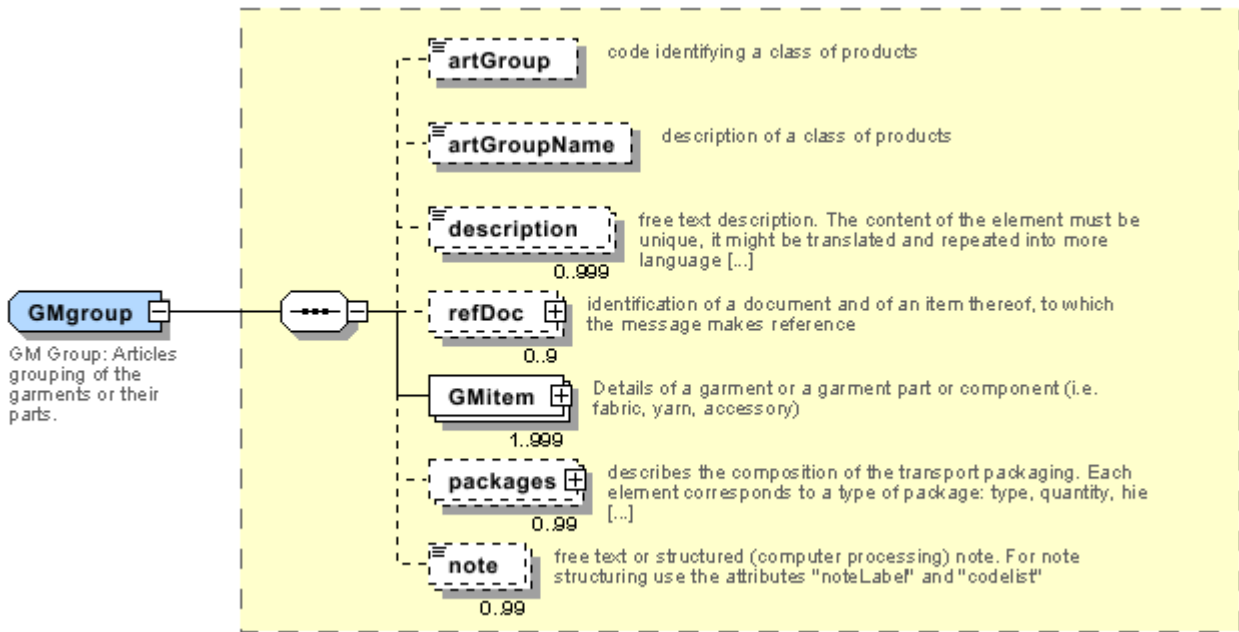
The content of this document represents the views of the authors only and is their sole responsibility; it cannot be considered to reflect the views of the European Commission and/or the Executive Agency for Small and Medium-sized Enterprises (EASME) or any other body of the European Union.

The European Commission and the Agency do not accept any responsibility for use that may be made of the information it contains.

Annex A

Representative images of the principal complex elements' structure.





Annex B

NT100 - eBIZ TCFUpstream version

dictionary version

Agency name: eBIZ

tabella cod.: NT100

File codes list (Generic code): http://www.ebiz.enea.it/moda-ml/repository/codelist/draft/gc_NT100.xml

Code	Description	Adoption note	Date of insertion
2013-1	v2013-1		01/07/2013
2018-1	v2018-1		04/11/2018
draft	draft		08/09/2017

NT16 - VAT rate or code

VAT rate or code (DEPRECATED, use dtScheme element)

tabella cod.: NT16

File codes list (Generic code): http://www.ebiz.enea.it/moda-ml/repository/codelist/draft/gc_NT16.xml

NT18 - message function

function performed by the present message with regards to the transmission

Agency name: eBIZ

tabella cod.: NT18

File codes list (Generic code): http://www.ebiz.enea.it/moda-ml/repository/codelist/draft/gc_NT18.xml

Code	Description	Adoption note	Date of insertion
CA	delete this document		01/07/2013
CP	copy		
OR	original		
RC	re-transmission for data correction		
RT	re-transmission		

NT2 - third party qualifier

Third Party role qualifier

Agency name: eBIZ

tabella cod.: NT2

File codes list (Generic code): http://www.ebiz.enea.it/moda-ml/repository/codelist/draft/gc_NT2.xml

Code	Description	Adoption note	Date of insertion
AG	Sales Agent		
CO	Quality Controller		
DC	Response to		
DF	Invoicee		
DI	Copy to (CC)		28/10/2014
DM	Consignee		
DP	Consignment address (Delivery Party)		
IM	Importer		
OR	Originator		10/09/2014
SP	Forwarder		
TX	Tax Representative		

NT29 - format of a date

format used for the date

Agency name: eBIZ

tabella cod.: NT29

File codes list (Generic code): http://www.ebiz.enea.it/moda-ml/repository/codelist/draft/gc_NT29.xml

Code	Description	Adoption note	Date of insertion
D	YYYY-MM-DD		
M	YYYY-MM-DD:HH-MM		
W	YYYY-WW		

NT43 - operational code qualifier

Agency name: eBIZ

tabella cod.: NT43

File codes list (Generic code): http://www.ebiz.enea.it/moda-ml/repository/codelist/draft/gc_NT43.xml

Code	Description	Adoption note	Date of insertion
------	-------------	---------------	-------------------

1	event		08/09/2017
2	sales channel		08/09/2017
3	goods management type		08/09/2017
4	special initiative		08/09/2017

NT51 - Filling Criterion for Package homogeneity

Filling Criterion for Package homogeneity

Agency name: eBIZ

tabella cod.: NT51

File codes list (Generic code): http://www.ebiz.enea.it/moda-ml/repository/codelist/draft/gc_NT51.xml

Code	Description	Adoption note	Date of insertion
COL	Colour		08/09/2017
MOD	Model		08/09/2017
SIZ	Size		08/09/2017

NT6 - coding system owner/issuer

code specifying the organisation who has created or owns the coding or numbering system

Agency name: eBIZ

tabella cod.: NT6

File codes list (Generic code): http://www.ebiz.enea.it/moda-ml/repository/codelist/draft/gc_NT6.xml

Code	Description	Adoption note	Date of insertion
CL	Customer/buyer		
CO	Quality Controller		
EN	GS1 (ex-EAN International)		
ES	e-Stockflow		
FO	Supplier		
GS	GS1		01/07/2013
MF	VAT identifier		
ML	Moda-ML		
SP	Service Provider		

NT7 - unit of measure

specification of the unit of measure, it is a sub set of table Unit of Measure Code - UN/ECE REC 20 delivered by United Nations Economic Commission for Europe (UN/ECE)

Agency name: eBIZ / UN/ECE

tabella cod.: NT7

File codes list (Generic code): http://www.ebiz.enea.it/moda-ml/repository/codelist/draft/gc_NT7.xml

Other link: <http://docs.oasis-open.org/ubl/os-UBL-2.1/cl/gc/default/UnitOfMeasureCode-2.1.gc#>

Code	Description	Adoption note	Date of insertion
CMK	square centimetre		20/12/2017
CMQ	cubic centimetre		20/12/2017
CMT	centimetre		
CNE	centiNewton		
CO2TON	ton of CO2		10/09/2014
COUPLES	couples		
DMQ	cubic decimetre		
E37	pixel		11/04/2018
GRM	gram		
HUR	hour		
INH	inch		
KGM	kilogram		
KMT	kilometer		
KWH	kilowatthours		10/09/2014
LBR	pound		
MIN	minute		
MMK	centimetre		20/12/2017
MMK	square millimetre		20/12/2017
MTK	square metre		20/12/2017
MTQ	cubic metre		
MTR	metre		
NMB	numero		
ONZ	ounce		
P1	percent		
PPM	parts per milion		
PZ	piece		
RPM	rounds per metre		

YRD	yard		
-----	------	--	--

T10 - ISO3166 - Country

code of the nation

Agency name: ISO

tabella cod.: T10

File codes list (Generic code): http://www.ebiz.enea.it/moda-ml/repository/codelist/draft/gc_T10.xml

Table not printed: there are 239 elements, more than the maximum specified for printing: 99.

T11 - transport package type

code specifying the type of package used for transport and delivery (subset of UN/ECE 8053 and UBL TransportEquipmentTypeCode-2.1)

Agency name: eBIZ

tabella cod.: T11

File codes list (Generic code): http://www.ebiz.enea.it/moda-ml/repository/codelist/draft/gc_T11.xml

Other link: <http://docs.oasis-open.org/ubl/os-UBL-2.1/cl/gc/default/TransportEquipmentTypeCode-2.1.gc#>

Code	Description	Adoption note	Date of insertion
4A	box, steel		
4C	box, wood		
4G	Box, fibreboard		01/08/2018
4H	Box, plastic		01/08/2018
5H	Bag, woven plastic		01/08/2018
5L	Bag, textile		01/08/2018
5M	Bag, paper		
AJ	Cone		01/08/2018
BL	Bale, compressed		01/08/2018
BN	Bale, non-compressed		01/08/2018
BX	Box		
CI	Canister		01/08/2018
CL	Coil		01/08/2018
CN	Container, not otherwise specified as transport equipment		01/08/2018
CS	Case		01/08/2018
CT	Carton		01/08/2018

EC	Bag, plastic		01/08/2018
ED	Case, with pallet base		01/08/2018
EE	Case, with pallet base, wooden		01/08/2018
EF	Case, with pallet base, cardboard		01/08/2018
EG	Case, with pallet base, plastic		01/08/2018
EH	Case, with pallet base, metal		01/08/2018
FX	Bag, flexible container		01/08/2018
HN	Hanger		01/08/2018
NE	unpacked		
NF	Unpacked or unpackageg, single unit		01/08/2018
NG	Unpacked or unpackageg, multiple units		01/08/2018
OA	Pallet, CHEP 40 cm x 60 cm		01/08/2018
OB	Pallet, CHEP 80 cm x 120 cm		01/08/2018
OC	Pallet, CHEP 100 cm x 120 cm		01/08/2018
OD	Pallet, AS 4068-1993		01/08/2018
OE	Pallet, ISO T11		01/08/2018
PE	europallet (80x120)		
PX	pallet		
QS	box, plastic, solid		
RJ	Rack, clothing hanger		01/08/2018
RL	Reel		01/08/2018
SO	Spool		01/08/2018
TU	tube		
XD	bag, plastics film		
XK	bag,paper, multi-wall, water resistant		
ZZ	Mutually defined		01/08/2018

T19 - fibre type

type of fibre used in a textile product

Agency name: eBIZ

tabella cod.: T19

File codes list (Generic code): http://www.ebiz.enea.it/moda-ml/repository/codelist/draft/gc_T19.xml

Code	Description	Adoption note	Date of insertion
AB	abaca		20/08/2018

AC	acetate		
AF	other fibres		
AG	alginic fibre		
AL	alfa		20/08/2018
CA	hemp		
CC	coir (coconut)		20/08/2018
CL	chlorofibre		
CO	cotton		
CU	cuprous		
EA	elastan		
EL	Elastodiene		20/08/2018
FL	fluorofibre		
GI	broom		20/08/2018
GL	textile glass		
HA	hair		20/08/2018
HE	henequen		20/08/2018
HL	mixed linen		
HL	cotton linen union		20/08/2018
JU	jute		
KE	kenaf		20/08/2018
KP	kapoc		20/08/2018
LI	linen		
LY	lyocell		20/08/2018
MA	modacrylic		
MD	modal		
ME	metallized		
MG	maguey		20/08/2018
PA	polyamide		
PB	polyureic		
PC	acrylic		
PE	polyethylene		
PI	paper		20/08/2018
PL	polyester		
PM	polyimide		
PP	polypropylene		

PR	proteic		
PU	polyurethane		
RA	mamie		20/08/2018
SE	silk		
SI	sisal		20/08/2018
SN	sun		20/08/2018
TA	triacetate		
TR	textile residues or unspecified composition		20/08/2018
TV	trivinyll		
VI	viscose		
VY	vinyllal		
WA	angora		
WB	beaver		20/08/2018
WC	cashgora		
WG	vicuna		
WK	camel		
WL	llama		
WM	mohair		
WN	lapin		20/08/2018
WO	wool		
WP	alpaca		
WS	cashmere		
WT	Oteer		20/08/2018
WU	guanaco		
WV	virgin wool		
WY	yack		

T21 - type of document

type or class to which the referenced document belongs

Agency name: eBIZ

tabella cod.: T21

File codes list (Generic code): http://www.ebiz.enea.it/moda-ml/repository/codelist/draft/gc_T21.xml

Code	Description	Adoption note	Date of insertion
BOR	blanket order		01/02/2018

CAT	Price catalogue - tech sheet		
CEO	Certificate of origin		13/04/2018
CER	Certificate		13/04/2018
COC	colour card		
CRN	Credit note		08/09/2017
CTO	Checking order		01/07/2013
CTR	Contract		
CXF	CxF3 file		01/07/2013
DAD	Darn order		
DDT	ddt		
DEA	Despatch advise		
DER	Despatch request		
DR	Document Request		02/12/2014
FOR	Forecast		02/12/2014
GSO	Garment stock offer		
GSX	Garment stock offer change		
INV	Invoice		
KCC	Knitting-Clothing Commission Order		02/12/2014
KCI	Garment in Work Inventory Report		02/12/2014
M2M	Made to Measure Production Order		02/12/2014
MAS	Master marker		
MCI	Visual merchandising instruction		13/04/2018
OCH	Order change		
OFF	Offer		
ORD	Purchase order		
ORP	Order response		
OSR	order status request		
OSS	Offer status		02/12/2014
OST	Order status		
OUR	our reference		
QR	Quality Report		02/12/2014
RAI	Raw Material in Work Inventory Report		02/12/2014
RDC	Raw dyeing commission order		
RDH	Raw dyeing order change		
RDR	Raw dyeing order response		

REA	Receiving advise		
REQ	Request for Offer		
RET	Return		02/12/2014
RSC	Spinning commission order		
RSH	Spinning order change		
RSR	Spinning order response		
SCL	process sheet		
TFC	Textile dyeing-finishing commission order		
TFX	Textile Dyeing-Finishing Order Change		02/12/2014
TPC	Textile printing commission order		
TPX	Textile Printing Order Change		02/12/2014
TWI	Textile in work inventory		
VMI	visual merchandising instructions		01/02/2018
WAC	Warping commission order		
WEC	Weaving commission order		
YDC	Yarn dyeing commission order		
YDH	Yarn dyeing order change		
YDR	Yarn dyeing order response		
YTC	Twisting commission order		
YWI	Yarn in work inventory		

T29 - type of yarn package

type of package (roll-up) used for a yarn product

Agency name: eBIZ

tabella cod.: T29

File codes list (Generic code): http://www.ebiz.enea.it/moda-ml/repository/codelist/draft/gc_T29.xml

Code	Description	Adoption note	Date of insertion
CIL	bobbin		
CON	cone		
HNK	hank, skein		01/07/2013
MUF	muff, cake		01/07/2013
SPL	spool		
TUB	tube		
XCO	supercone		

T30 - support of yarn package - material

type of material of which a package for yarn is made

Agency name: eBIZ

tabella cod.: T30

File codes list (Generic code): http://www.ebiz.enea.it/moda-ml/repository/codelist/draft/gc_T30.xml

Code	Description	Adoption note	Date of insertion
CA	cartoon		
DY	for soft package dyeing		
MT	metallic		01/07/2013
PL	plastic		

T32 - yarn reel wrapping type

type of wrapping in which a package of yarn is wrapped

Agency name: eBIZ

tabella cod.: T32

File codes list (Generic code): http://www.ebiz.enea.it/moda-ml/repository/codelist/draft/gc_T32.xml

Code	Description	Adoption note	Date of insertion
XA	without bag		
XB	paper bag		01/07/2013
XD	plastic film bag		

T33 - yarn outer packing

code specifying the type of outer wrapping or packing of a yarn

Agency name: eBIZ

tabella cod.: T33

File codes list (Generic code): http://www.ebiz.enea.it/moda-ml/repository/codelist/draft/gc_T33.xml

Code	Description	Adoption note	Date of insertion
00			
CB	cartoon box		

CC	cartoon box 18 reels		
CD	cartoon box 36 reels		
XD	plastic film		

T4 - fabric piece inner packing (wrapping) 1

code specifying the type of inner wrapping/packing used for the fabric piece

Agency name: eBIZ

tabella cod.: T4

File codes list (Generic code): http://www.ebiz.enea.it/moda-ml/repository/codelist/draft/gc_T4.xml

Code	Description	Adoption note	Date of insertion
A	Folded, whole width		
B	Folded, doubled		
C	Folded, tube products		
D	Spoiled, whole width		
E	Spoiled, doubled, pli: left		
F	Spoiled, doubled, pli: right		
G	Rolled, whole width, single item		
H	Rolled, whole width, several items		
I	Rolled, doubled		
J	Rolled, tube products		

T421 - size system: nationality

nation or agency identifying the size system

Agency name: eBIZ

tabella cod.: T421

File codes list (Generic code): http://www.ebiz.enea.it/moda-ml/repository/codelist/draft/gc_T421.xml

Code	Description	Adoption note	Date of insertion
DE	Germany		
ES	Spain		
EU	Europe		
FR	France		
IT	Italy		

UK	United Kingdom		
US	USA		
XX	International		

T422 - size system: market segment

market segment identifying the size system

Agency name: eBIZ

tabella cod.: T422

File codes list (Generic code): http://www.ebiz.enea.it/moda-ml/repository/codelist/draft/gc_T422.xml

Code	Description	Adoption note	Date of insertion
B	baby		
C	child		
K	kid		
M	man		
U	unisex		
W	woman		

T423 - size system: base

base of the size system

Agency name: eBIZ

tabella cod.: T423

File codes list (Generic code): http://www.ebiz.enea.it/moda-ml/repository/codelist/draft/gc_T423.xml

Code	Description	Adoption note	Date of insertion
1	arab numbers		
2	latin numbers		
3	symbols		
4	letters		
H	height		
L	length		
U	unic		
W	weight		

T44 - additional code type

qualifier of the additional coding of a product

Agency name: eBIZ

tabella cod.: T44

File codes list (Generic code): http://www.ebiz.enea.it/moda-ml/repository/codelist/draft/gc_T44.xml

Code	Description	Adoption note	Date of insertion
CC	colour card		
CL	sales collection		
CO	company identification code		08/09/2017
DY	dye number		
LT	lot number		
MDI	Made in		08/09/2017
MS	manufacturing state		
PKG	packaging		09/09/2014
PL	product line		
RGB	RGB value		
SE	selvedge code		

T48 - garment part type

code specifying the type of component or part of a garment (sleeve, neck, ...)

Agency name: eBIZ

tabella cod.: T48

File codes list (Generic code): http://www.ebiz.enea.it/moda-ml/repository/codelist/draft/gc_T48.xml

Code	Description	Adoption note	Date of insertion
BB	bottom back		01/08/2018
BF	bottom fore/front		01/08/2018
CO	collar		01/08/2018
CU	cuff		01/08/2018
DV	fore		
EM	embroidery		01/08/2018
OC	other component		01/08/2018

PO	pocket		01/08/2018
SC	back		
SL	sleeve		01/08/2018
TB	top back		01/08/2018
TF	top fore/front		01/08/2018

T5 - fabric piece inner packing (wrapping) 2

code specifying the sub-type of inner wrapping/packing used for the fabric piece

Agency name: eBIZ

tabella cod.: T5

File codes list (Generic code): http://www.ebiz.enea.it/moda-ml/repository/codelist/draft/gc_T5.xml

Code	Description	Adoption note	Date of insertion
A	Open		
B	Folded once, not looped		
C	Folded twice, not looped		
H	Folded once, looped		
I	Folded twice, looped		
J	Without inner object, right side inside		
K	On carton or spooling plank, right side inside		
L	On spool (for pressure sensitive products), right side inside		
M	Without inner object, left side inside		
N	On carton or spooling plank, left side inside		
O	On spool (for pressure sensitive products), left side inside		
P	Without inner object, right side inside (deprecated code)		
Q	On carton, right side inside		
R	On wooden stick, right side inside		
S	Without inner object, left side inside (deprecated code)		
T	On carton, left side inside		
U	On wooden stick, left side inside		

T6 - fabric piece outer packing

code specifying the type of outer wrapping or packing used for the fabric piece

Agency name: eBIZ

tabella cod.: T6

File codes list (Generic code): http://www.ebiz.enea.it/moda-ml/repository/codelist/draft/gc_T6.xml

Code	Description	Adoption note	Date of insertion
0	Not wrapped		
1	Totally wrapped		
2	Wrapped, one side open		
3	Wrapped, both sides open		
4	Wrapped, one side open, with show corner		
5	Wrapped in cartons		
6	Double wrapped		

T61 - duty or tax or fee type

duty or tax or fee type

Agency name: eBIZ

tabella cod.: T61

File codes list (Generic code): http://www.ebiz.enea.it/moda-ml/repository/codelist/draft/gc_T61.xml

Code	Description	Adoption note	Date of insertion
BOL	stamp duty		01/07/2013
CUD	customs duty		01/07/2013
ENV	environmental tax		01/07/2013
FRE	no tax		01/07/2013
OTH	other tax charges		01/07/2013
VAT	value added tax		01/07/2013

T62 - duty or tax or fee category

duty or tax or fee category

Agency name: eBIZ

tabella cod.: T62

File codes list (Generic code): http://www.ebiz.enea.it/moda-ml/repository/codelist/draft/gc_T62.xml

Code	Description	Adoption note	Date of insertion
------	-------------	---------------	-------------------

AA	lower than standard rate		01/07/2013
E	tax not applicable		01/07/2013
H	higher than standard rate		01/07/2013
O	outside scope of tax		01/07/2013
S	standard rate		01/07/2013
Z	zero rate goods		01/07/2013